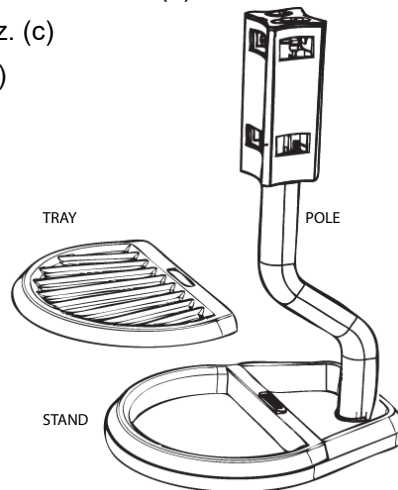
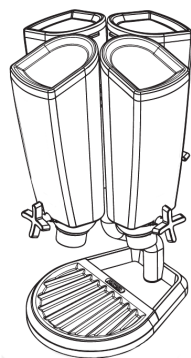


EZ-PRO™ Carousel Dispenser

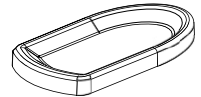
Model: **EZP2760** EZ-PRO™ C4L Stainless Steel

SETTING UP YOUR PRODUCT

- Carefully remove all parts from packaging and poly bags.
- Make sure you have all parts listed before discarding packaging.
 - 1 Assembled EZ-PRO™ C4L Metal Base with Pole and Detachable Tray
 - 4 EZ-PRO™ Containers (e) each with:
 - Lid (a)
 - Handle (f)
 - 1 Set 1, 2, 3 & 4 tsp. Portioned Scoops and Funnel (b)
 - 1 PRO-6W Silicon Portion Wheel -1 oz. (c)
 - 1 PRO-6SM Portion Wheel -1 tbsp. (d)



a. ITEM #: EZL006



b. ITEM #: EZP028



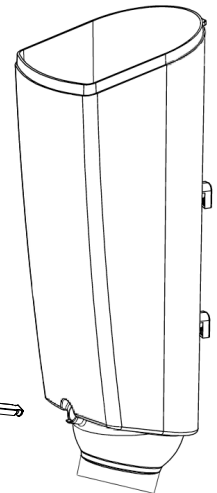
c. ITEM #: EZP021



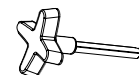
d. ITEM #: EZP022



e. CONTAINER SHELL:
ITEM #: Ezc038

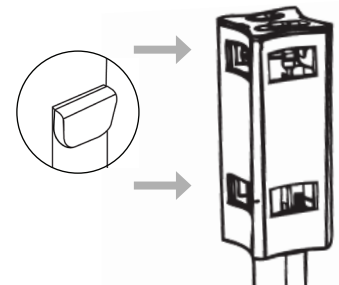


f. ITEM #: EZH010



- Place the stand on a flat surface facing you.
- Make sure the pole is securely attached to the base and place tray on the stand.
- Fill an EZ-PRO™ container with desired product and seal with the lid.
- On the back of each container are 2 hooks that fit snugly onto the allotted notches on the stand. Install a container by securing both hooks on the upper and lower notches. Make sure it locks into place.
- Repeat steps 5 thru 7 for the remaining containers.
- Dispense as you please!

2 hooks on the back of the EZ-PRO™ container latch on to the upper and lower notches on the stand.



NEED ASSISTANCE?

Please contact our customer service support at (847) 763-1215 and we'll be happy to assist with any assembly questions, comments, or concerns.

ROSSETO® 3714 Jarvis Avenue, Skokie, IL 60076
Visit our website at www.rosseto.com



EZ-PRO™ Carousel Dispenser

CARING FOR YOUR CONTAINER

CLEANING INSTRUCTIONS:

1. To maintain the quality of your EZ-PRO™ container, wash all parts in warm, soapy water. Use a non-abrasive sponge.
2. DO NOT put any part of the unit through any dishwasher, dryer machines, or submerge in water.
3. When disassembling the container, handle all parts gently. Please refrain from using too much force.
4. Reassemble the unit only after all parts are completely dry.

HOW TO DISASSEMBLE:

1. Remove the container from the stand by holding it securely and lifting directly upward, clearing the hooks from the notches on the stand.
2. Remove lid from top of container. Make sure there is no remaining product inside that can spill over.
3. Gently pull the handle from the front of the container. Set aside.
4. Reach into container and remove portion wheel by gently pulling upwards.

HOW TO ASSEMBLE:

1. Place portion wheel into container.
2. Adjust the portion wheel inside the container, so that its holes align with the container's holes (both front and back).
3. Then insert the handle through the front by aligning the half-moon shaft with the paddle.
4. Fill container with desired dry product and place lid securely on the container.
6. On the back of each container are 2 hooks that fit snugly onto the allotted notches on the stand. Install a container by securing both hooks on the upper and lower notches. Make sure it locks into place.
5. Continue using dispenser unit as usual.

The Rosseto interchangeable portion wheels deliver just the right amount of product every time. Test each wheel with your dry foods to determine which works best for you!

NEED ASSISTANCE?

Please contact our customer service support at (847) 763-1215 and we'll be happy to assist with any assembly questions, comments, or concerns.

ROSSETO® 3714 Jarvis Avenue, Skokie, IL 60076
Visit our website at www.rosseto.com