

EZ-SERV® Tabletop Dispenser

Model: EZ530 | Specification Sheet



SPECIFICATIONS

Dimensions:

9.75 x 10 x 29 IN

24.8 x 25.4 x 73.7 CM

Label Size for Label Holder:

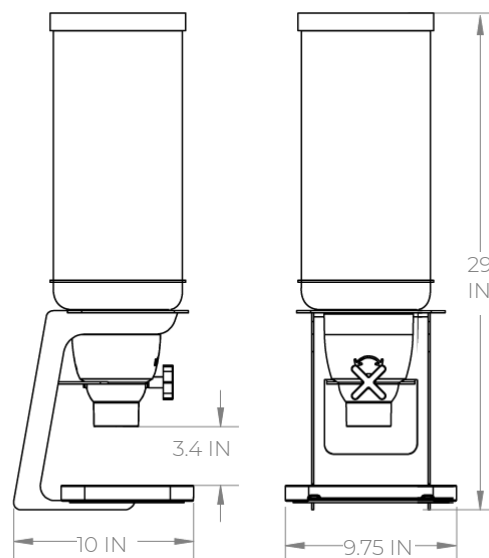
2.5 x 1.63 IN / 6.4 x 4.1 CM

Container Capacity:

3.5 Gallons / 13.2 Liters

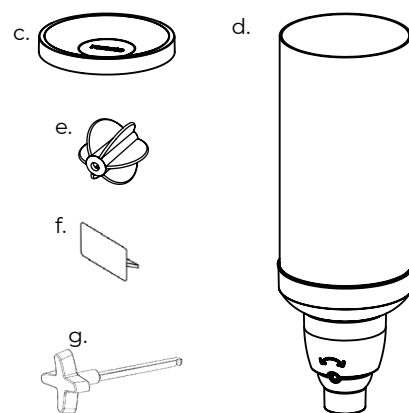
Product Weight:

10 Pounds / 4.5 Kilograms



PARTS LIST

Item Description	Item Number	Material
a. Black Matte Stand	not available	Steel
b. Walnut Tray	EZT018	Walnut Wood
c. Grey Lid	EZL018	ABS
d. Container Shell	EZC019	Acrylic and ABS
e. 1 oz. Portion Wheel	EZP021	Silicone and ABS
f. Label Holder	EZM036	ABS
g. Metal Handle	EZH010	Zinc Alloy



CLEANING & CARE INSTRUCTIONS

- **DO NOT** put any part of the unit through dishwasher or dryer machine. **ALWAYS** use a non-abrasive sponge.
- **Container Care:**
 1. To maintain the quality of your EZ-SERV® container, wash all parts in warm water with a mild soap.
 2. When disassembling the container, handle all parts gently. Please refrain from using too much force.
 3. Reassemble the unit only after all parts are completely dry.
- **Walnut and Steel Care:**
 1. Wipe down with damp microfiber cloth and always wipe dry with a microfiber cloth. Keep away from heat and direct sunlight. Store in a dry and well-ventilated place.

R1 09242019

NEED ASSISTANCE?

Customer Service Support: **847-763-1215**

Address: **3714 Jarvis Avenue Skokie, IL 60076**

Website: **www.rosseto.com**

