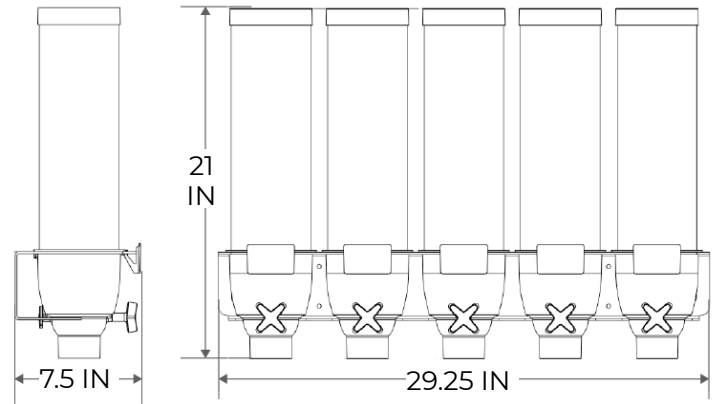


EZ-SERV® Wall Mount Dispenser

Model: EZ527 | Specification Sheet



SPECIFICATIONS

Dimensions: 29.25 x 7.5 x 21 IN / 74.3 x 19.1 x 53.3 CM

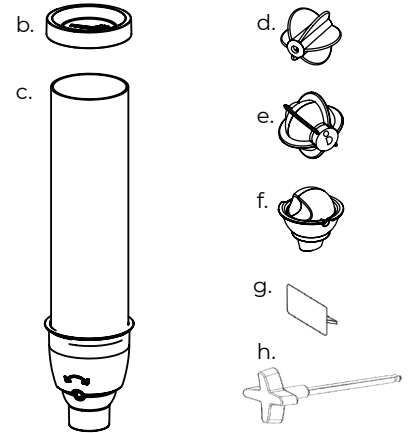
Label Size for Label Holder: 2.5 x 1.63 IN / 6.4 x 4.1 CM

Container Capacity: 1.3 Gallons / 4.9 Liters

Product Weight: 15 Pounds / 6.8 Kilograms

PARTS LIST

Item Description	Item Number	Material
a. Metal Wall Mount	not available	Steel
b. Grey Lid	EZL015	ABS
c. Container Shell	EZC015	Acrylic and ABS
d. 1 oz. Portion Wheel	EZP021	Silicone and ABS
e. 1 tbsp. Portion Wheel	EZP022	Silicone and ABS
f. 1, 2, 3 & 4 tsp. Portioned Scoops	EZP028	Silicone and ABS
g. Label Holder	EZM036	ABS
h. Metal Handle	EZH010	Zinc Alloy



CLEANING & CARE INSTRUCTIONS

- DO NOT put any part of the unit through dishwasher or dryer machine. ALWAYS use a non-abrasive sponge.
- Container Care:
 1. To maintain the quality of your EZ-SERV® container, wash all parts in warm water with a mild soap.
 2. When disassembling the container, handle all parts gently. Please refrain from using too much force.
 3. Reassemble the unit only after all parts are completely dry.
- Steel Care:
 1. Wipe down with damp microfiber cloth and always wipe dry with a microfiber cloth. Keep away from heat and direct sunlight. Store in a dry and well-ventilated place.

R2 09242019

NEED ASSISTANCE?

Customer Service Support: **847-763-1215**

Address: **3714 Jarvis Avenue Skokie, IL 60076**

Website: **www.rosseto.com**

