

EZ-SERV® Tabletop Dispenser

Model: EZ518 | Specification Sheet



SPECIFICATIONS

Dimensions:

9.75 x 10 x 26.25 IN

24.8 x 25.4 x 66.7 CM

Container Capacity:

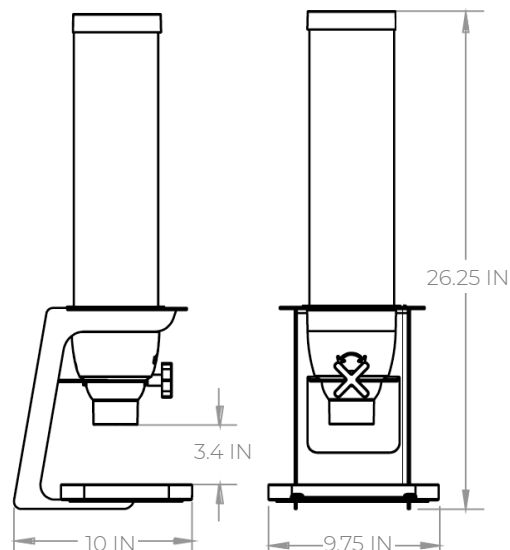
1.3 Gallons / 4.9 Liters

Label Size for Label Holder:

2.5 x 1.63 IN / 6.4 x 4.1 CM

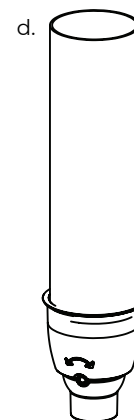
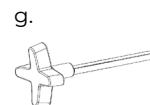
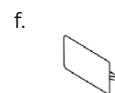
Product Weight:

9 Pounds / 4.1 Kilograms



REPLACEMENT PARTS

Item Description	Item Number	Material
a. Black Matte Stand	<i>not available</i>	Steel
b. Walnut Tray	EZT018	Walnut Wood
c. Grey Lid	EZL015	ABS
d. Container Shell	EZC015	Acrylic and ABS
e. 1 oz. Portion Wheel	EZP021	Silicone and ABS
f. Label Holder	EZM036	ABS
g. Metal Handle	EZH010	Zinc Alloy



CLEANING & CARE INSTRUCTIONS

- DO NOT put any part of the unit through dishwasher or dryer machine.
- DO NOT use any abrasive materials such as scrapers or metal-based brushes.
- Container Care:
 1. To maintain the quality of your EZ-SERV® container, wash all parts in warm water with a mild soap.
 2. When disassembling the container, handle all parts gently. Please refrain from using too much force.
 3. Reassemble the unit only after all parts are completely dry.
- Walnut and Steel Care:
 1. Wipe down with damp microfiber cloth and always wipe dry with a microfiber cloth. Keep away from heat and direct sunlight. Store in a dry and well-ventilated place.

R1 09242019

NEED ASSISTANCE?

Customer Service Support: **847-763-1215**

Address: **3714 Jarvis Avenue Skokie, IL 60076**

Website: **www.rosseto.com**

