

MODULITE™ Serving Cart

Instruction & Specification Sheet

Models MC-SERVBASIC3B & MC-SERVBASIC3BK

BEFORE YOU BEGIN

Be sure to read all the instructions before attempting to assemble the Modulite Serving Cart.

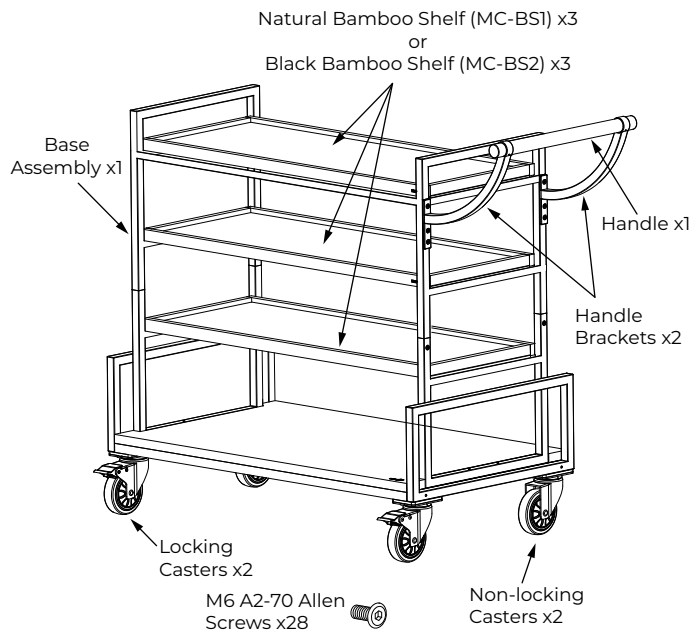
- Carefully remove all parts from the carton and inspect each part. If a part appears to be damaged or missing, please contact Rosseto Customer Service.

Parts Included in MC-SERVBASIC3B

- 1 Black Frame and Natural Bamboo Base Assembly
- 1 Black and Natural Bamboo Handle Assembly with 2 set screws installed
- 3 Natural Bamboo Shelves
- 4 Casters; 2 Locking and 2 Non-locking
- 28 Allen Screws (4mm Allen Wrench included)

Parts Included in MC-SERVBASIC3BK

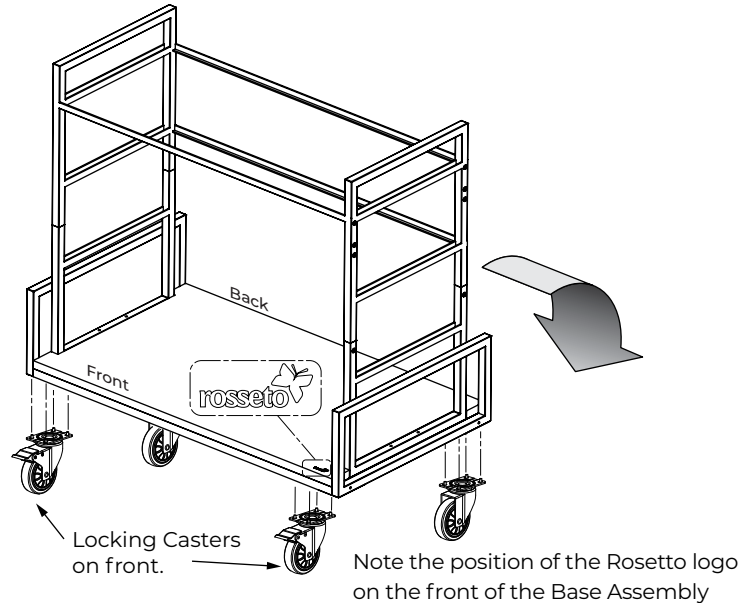
- 1 Black Frame and Black Base Assembly
- 1 Black and Natural Bamboo Handle Assembly with 2 set screws installed
- 3 Black Bamboo Shelves
- 4 Casters; 2 Locking and 2 Non-locking
- 28 Allen Screws (4mm Allen Wrench included)



Note: The Base Assembly is shipped preassembled. You may need help when removing the Base Assembly from the shipping carton. All other parts are packed separately and need to be installed.

ADDING THE CASTERS

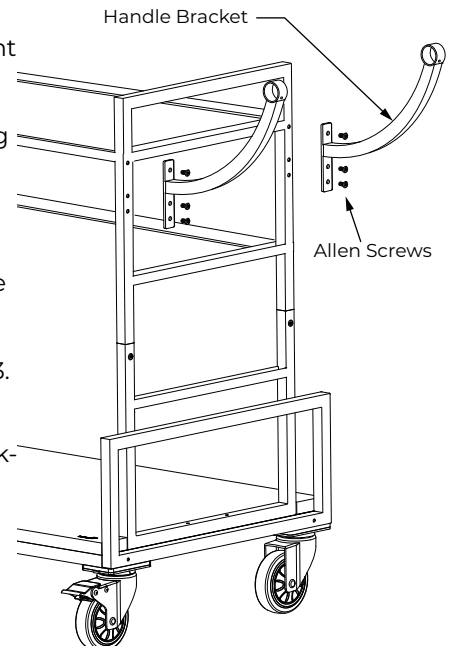
Step 1 Lay the Base Assembly on its side to install the Casters. Install the Casters with 4 Allen Screws per Caster. Install the 2 Locking Casters on the front side of the Base Assembly.



INSTALLING THE HANDLE BRACKETS

Step 2: Turn the Base Assembly to the upright position and lock the Casters to avoid movement while assembling the Handle Assembly. Install the Handle Brackets using 3 Allen Screws on each side. Do not fully tighten the Allen Screws until the Bamboo Handle has been installed in Step 3.

Note: The Handle Brackets with Bamboo Handle can be installed on either side of the cart. 6 extra Allen Screws are included.



MODULITE™ Serving Cart

Instruction & Specification Sheet

Models MC-SERVBASIC3B & MC-SERVBASIC3BK

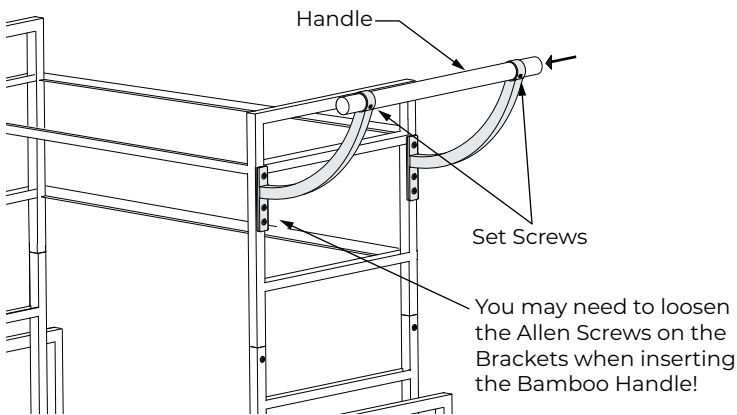
ATTACHING THE HANDLE TO THE CART

Step 3: Slide the Bamboo Handle through the holes in the Handle Brackets. You may need to loosen the set screws when inserting the Bamboo Handle.

Adjust the Bamboo Handle so that it is properly centered. Lightly snug the Set Screws to secure the Bamboo Handle.

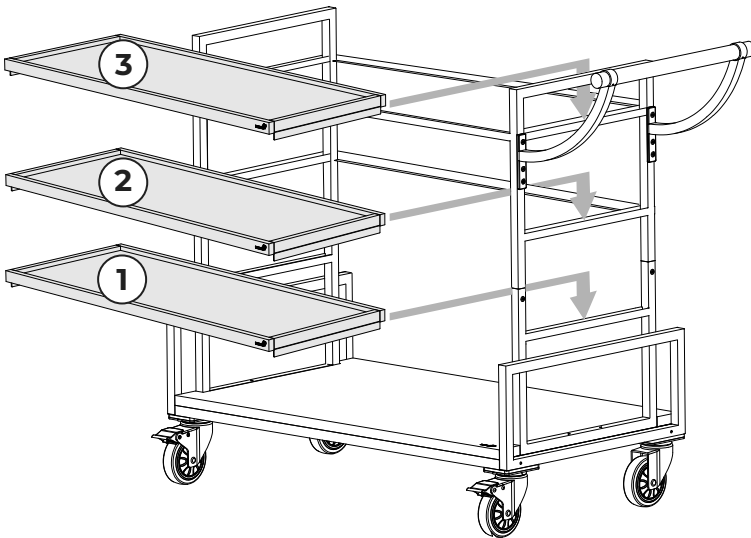
Do not over tighten the Set Screws!

Finally, tighten all 3 Allen Screws on each Handle Bracket.



INSTALLING THE SHELVES

Step 4: Install the Shelves in the order shown below. Start with the bottom shelf and work upwards.



SPECIFICATIONS

ASSEMBLED DIMENSIONS	INCHES	CM
LENGTH	45.28"	115 cm
WIDTH	20.08"	51 cm
HEIGHT	37.59"	95.5 cm

WEIGHT 62.8 lbs/28.5 kg

CARE AND CLEANING

- DO NOT put any part of the unit through dishwasher or dryer machine. ALWAYS use a non-abrasive sponge.
- DO NOT use any abrasive materials such as scrapers or metal-based brushes.
- DO NOT use harsh chemicals or abrasive cleaners.

Metal and Wood Care:

Wipe down with damp microfiber cloth and always wipe dry with a microfiber cloth. Store in a dry and well-ventilated location.

