

BEFORE YOU BEGIN

Be sure to read all the instructions before attempting to assemble the Chalkboard Sign w/4.5' Display Arm Kit.

- Carefully remove all parts from the carton and inspect each part. If a part appears to be damaged or missing, please contact Rossetto Customer Support.

PARTS & ACCESSORIES

- 1 Sign Top Bar
- 1 Sign Support
- 1 Chalkboard Sign
- 2 Chalkboard Sign Hanger Clips
- 1 M8x16mm Flat Head Thumbscrew

GENERAL CARE & CLEANING

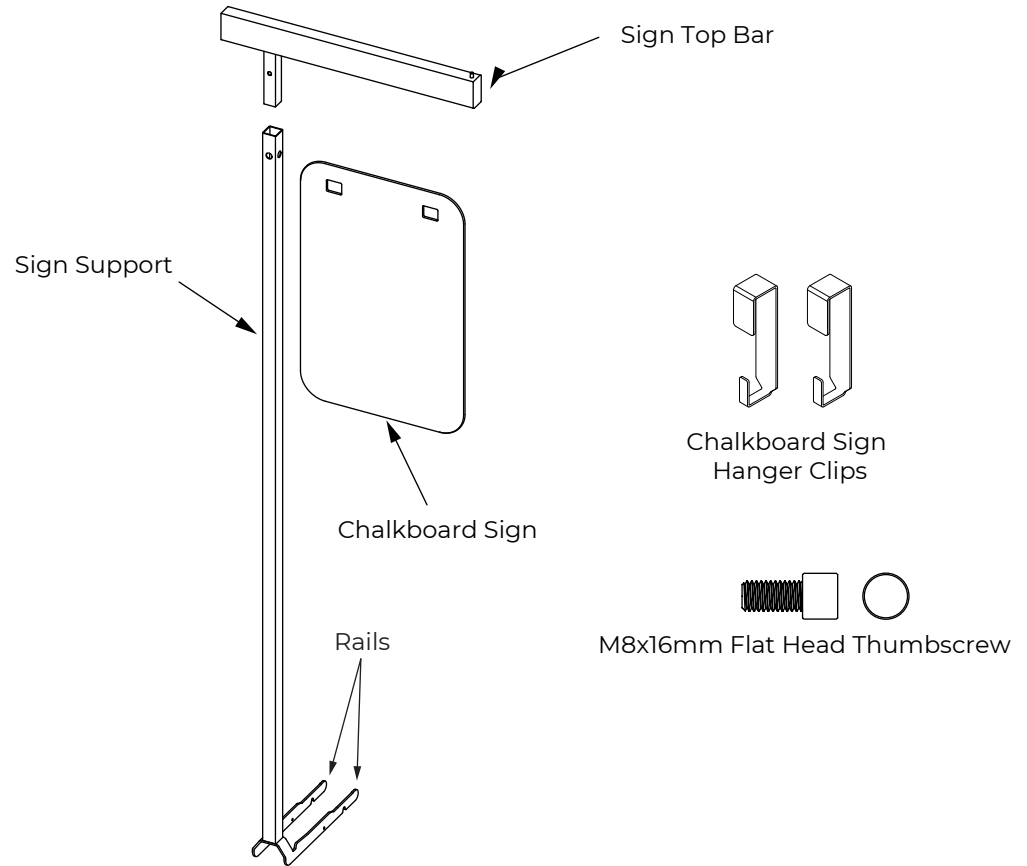
- DO NOT put any part of the unit through dishwasher or dryer machine.
- ALWAYS use a non-abrasive sponge.
- DO NOT use any abrasive materials such as scrapers or metal-based brushes.
- DO NOT use harsh chemicals or abrasive cleaners.

CHALKBOARD

Suggested Writing Utensil	Cleaning Method
Conventional Chalkboard Chalk	Dry Microfiber Soft Cloth
Wet Erase Chalk Markers	Damp Microfiber Soft Cloth or Melamine foam cleaning sponge

Other safe general cleaning steps for freshening the writing surface:

- For best results, dry-clean the board frequently to prevent chalk dust from building up.
- Remove loose chalk dust with a clean, dry cloth.
- Use warm water with a few drops of mild dish soap or for more stubborn stains, mix equal parts white vinegar and water. Dip a clean soft cloth into the solution, wring it out well, and wipe the chalkboard in long, smooth strokes.
- Use a damp clean cloth to remove excess cleaning solution.
- Allow the chalkboard to air dry or use a clean, dry cloth to wipe off any remaining moisture.



SPECIFICATIONS

Catalog Number	Assembled Dimensions	Assembled Weight
MT-BKCBDA Chalkboard Sign w/4.5' Black Display Arm	18.2 x 2.4 x 56.7 in. 46.2 x 6.1 x 144.0 cm	7.3 lbs/3.3 kg
MT-SSCBDA Chalkboard Sign w/4.5' Stainless Steel Display Arm	18.2 x 2.4 x 56.7 in. 46.2 x 6.1 x 144.0 cm	7.3 lbs/x3.3 kg

1. Insert the rails on sign support into table snaps under the table top as shown below.
2. Insert the the sign top bar into the top hole in the sign support.
3. Insert and hand tighten the thumbscrew as shown at right.
4. Install chalkboard hanger clips on the sign top bar and hang the chalkboard sign.
5. When installing the sign top bar, it can be rotated at 90° angles allowing the chalkboard sign to face different directions. See Figure A.

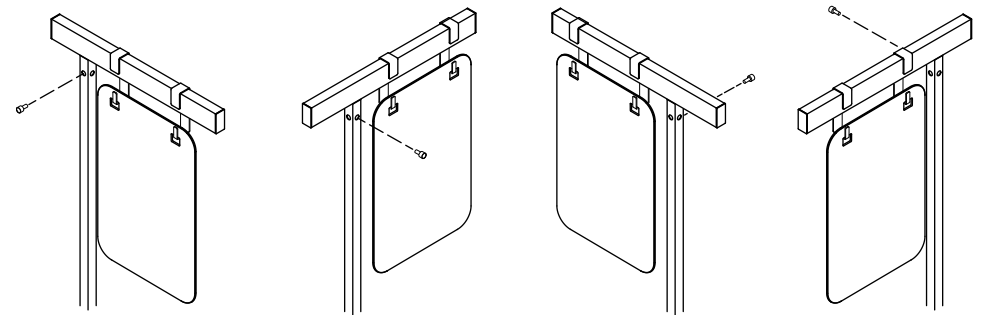
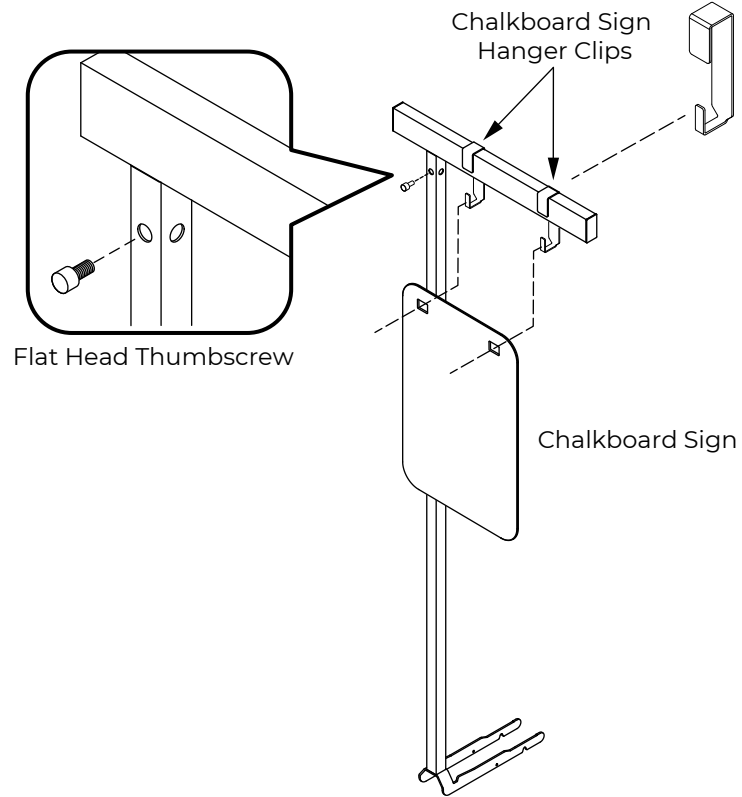
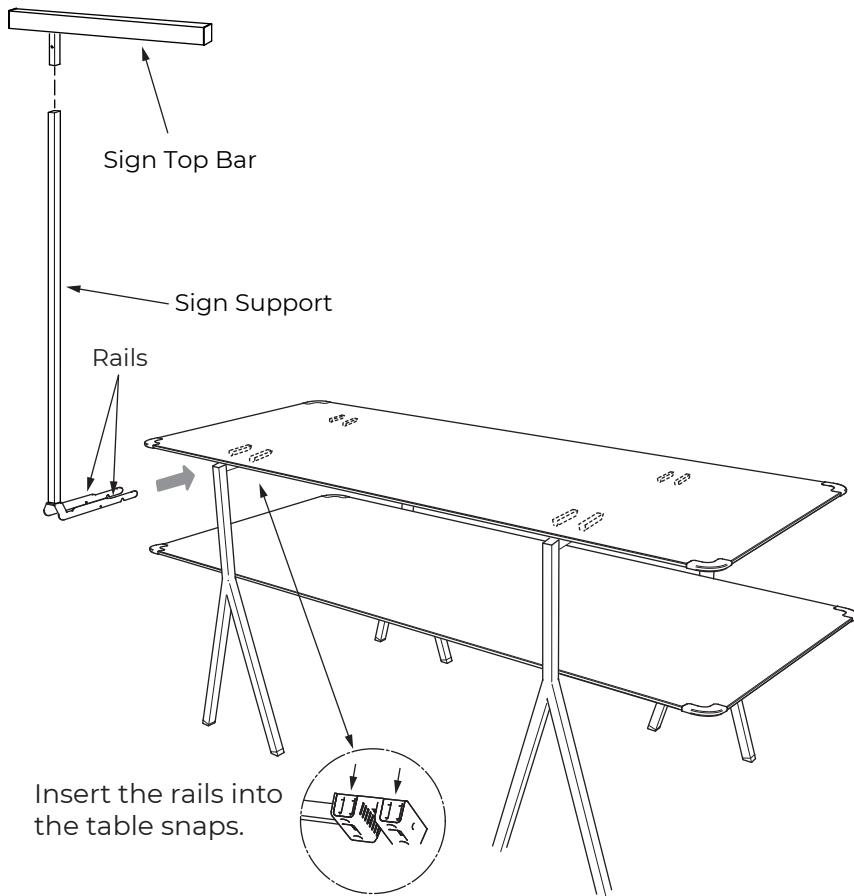


Figure A