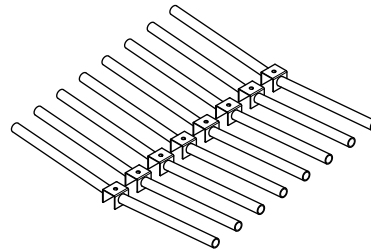


BEFORE YOU BEGIN

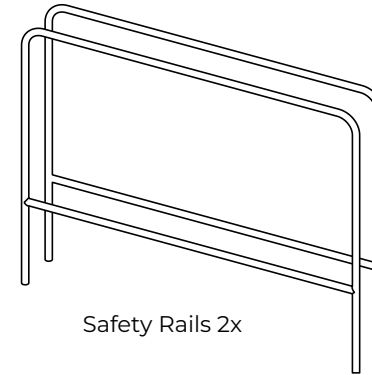
Be sure to read all the instructions before attempting to assemble the Modulite Storage Cart.

- Carefully remove all parts from the carton and inspect each part. If a part appears to be damaged or missing, please contact Rosseto Customer Support.

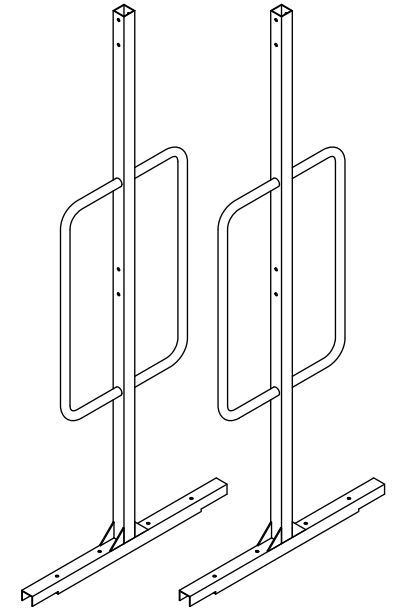
PART	QUANTITY
Storage Cart Base Unit	1
T-Profile	2
Cross Bar	2
Locking Casters	4
Safety Rail	2
Metal Hangers	8
M8 L55 Bolt	24
M8 L20 Bolt	16
M8 L55 Metal Washer	40
Tie Down Ratchet Strap	2
Wrench	1



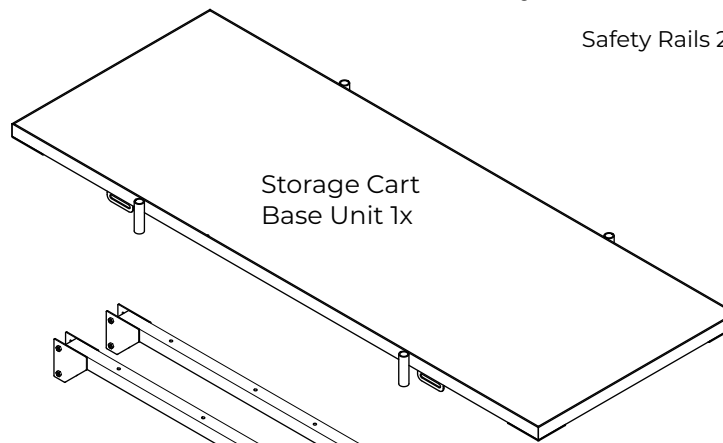
Metal Hangers 8x



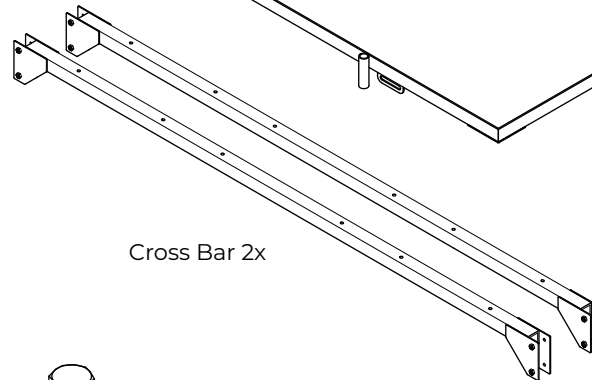
Safety Rails 2x



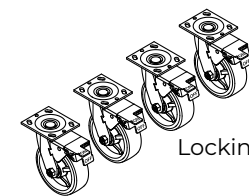
T-Profile 2x



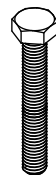
Storage Cart Base Unit 1x



Cross Bar 2x



Locking Casters 4x



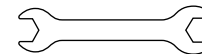
M8 L55 Bolt
24x



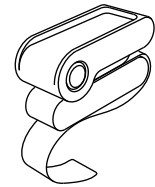
M8 L20 Bolt
16x



M8 Metal Washer
40x



Wrench
1x



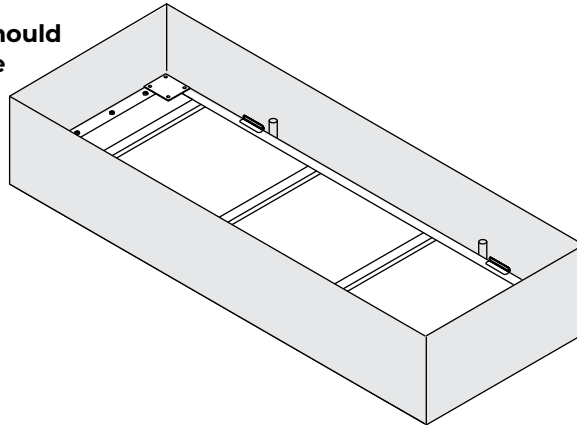
Tie Down Ratchet Strap
2x

STEP 1

IMPORTANT: The base unit should remain in the carton until the casters have been installed.

Remove all packing materials.

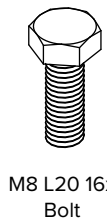
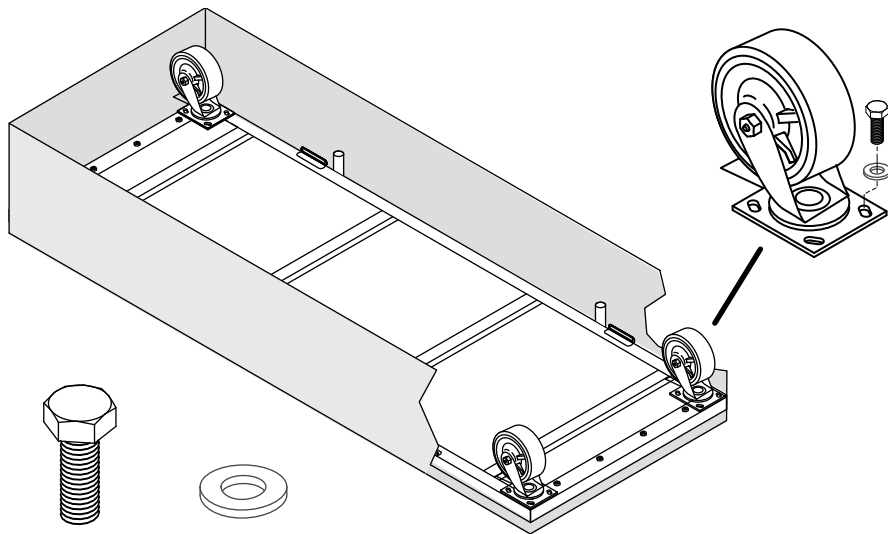
Remove all parts except the base unit.



STEP 2

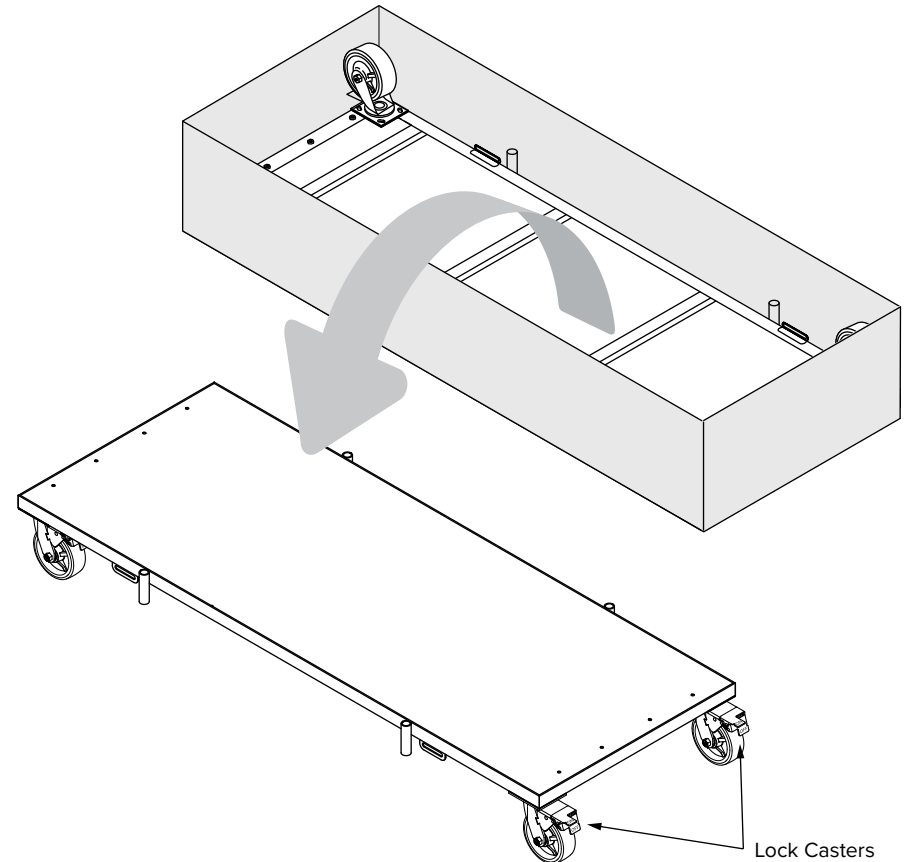
Install one locking caster at each corner of the base unit while the base is still in the carton.

Each caster must be attached using 4x M8 L20 bolts and 4x M8 metal washers as shown in the illustration below.



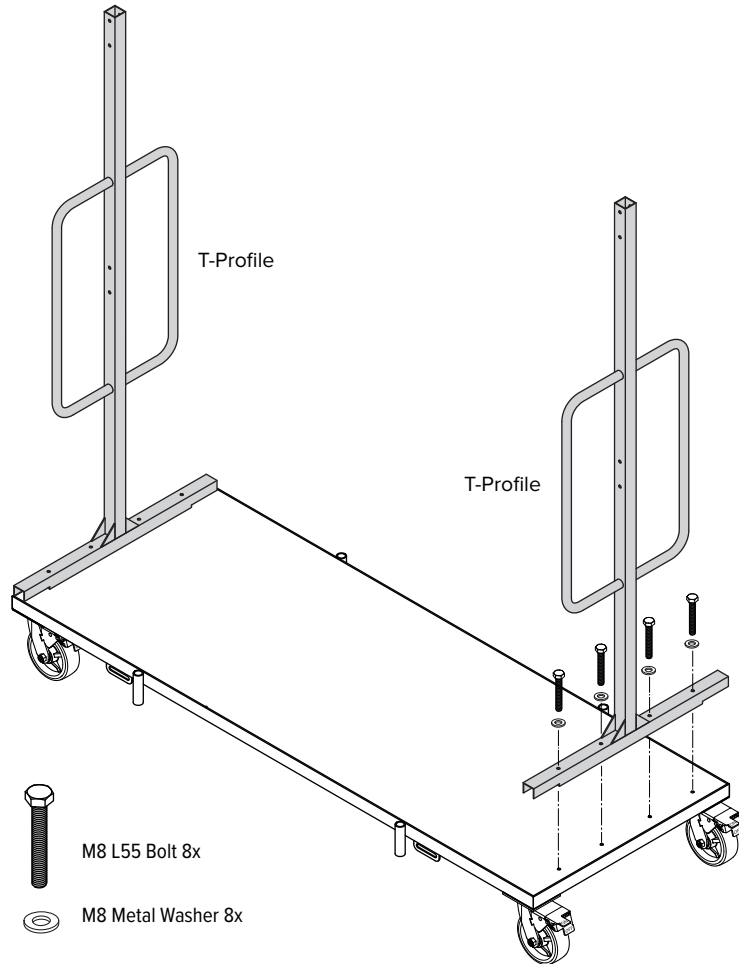
STEP 3

You will need a helper for this step. Lift the base unit out from the carton and flip it over. Place the cart on a flat surface. Lock all four casters before proceeding to the next step so the cart will not move around.



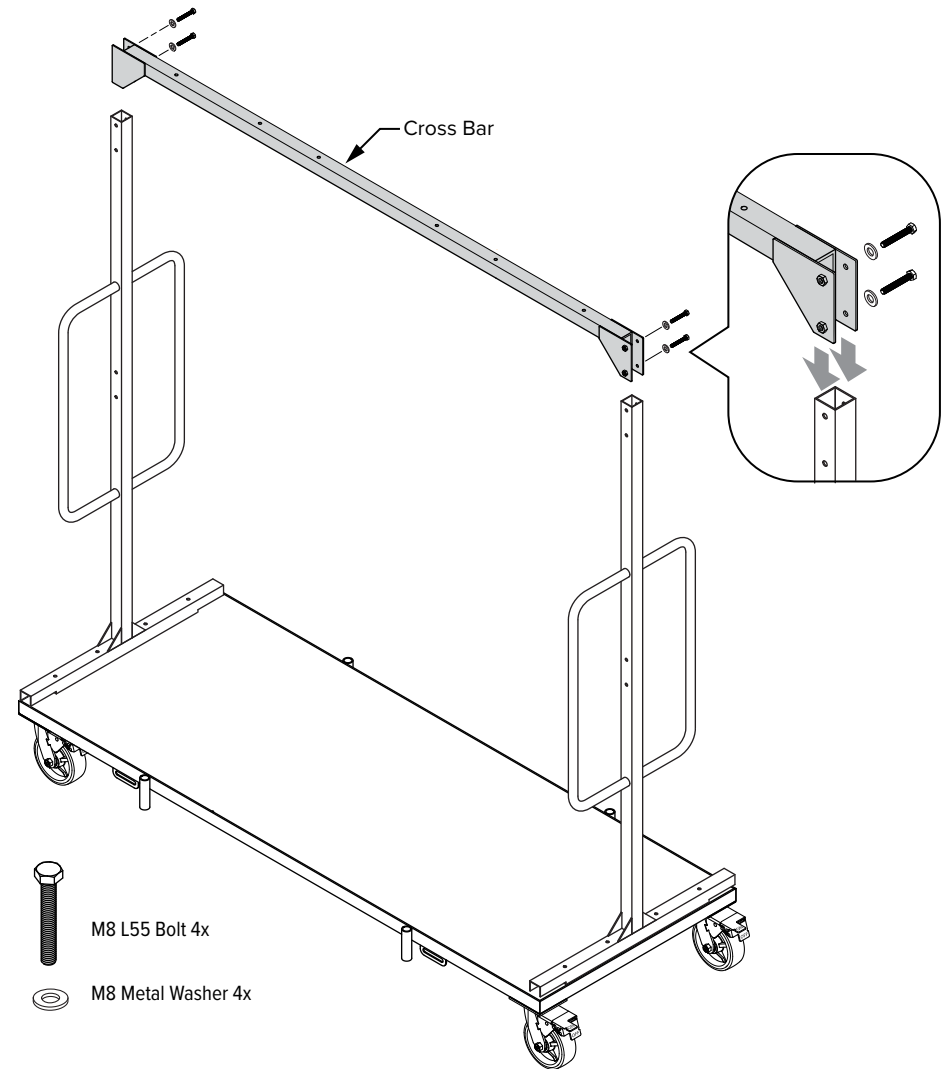
STEP 4

Install a T-Profile Unit at each end of the base unit. Secure each T-Profile using 4x M8 L55 bolts and 4x M8 metal washers.



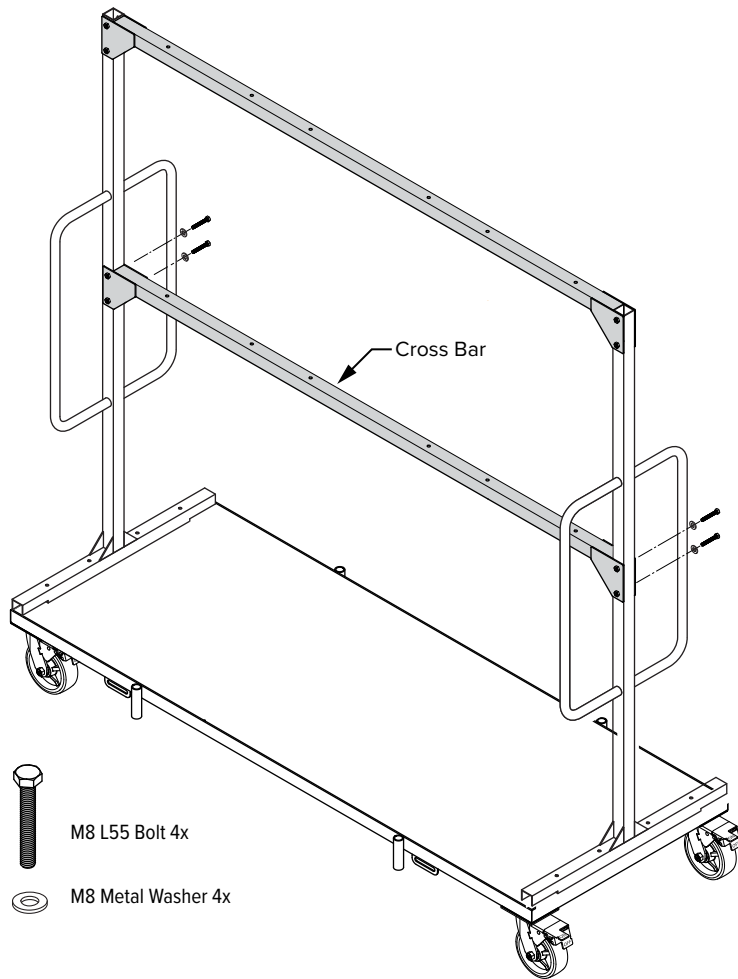
STEP 5

Install the top cross bar using 4x M8 L55 bolts and 4x M8 metal washers.



STEP 6

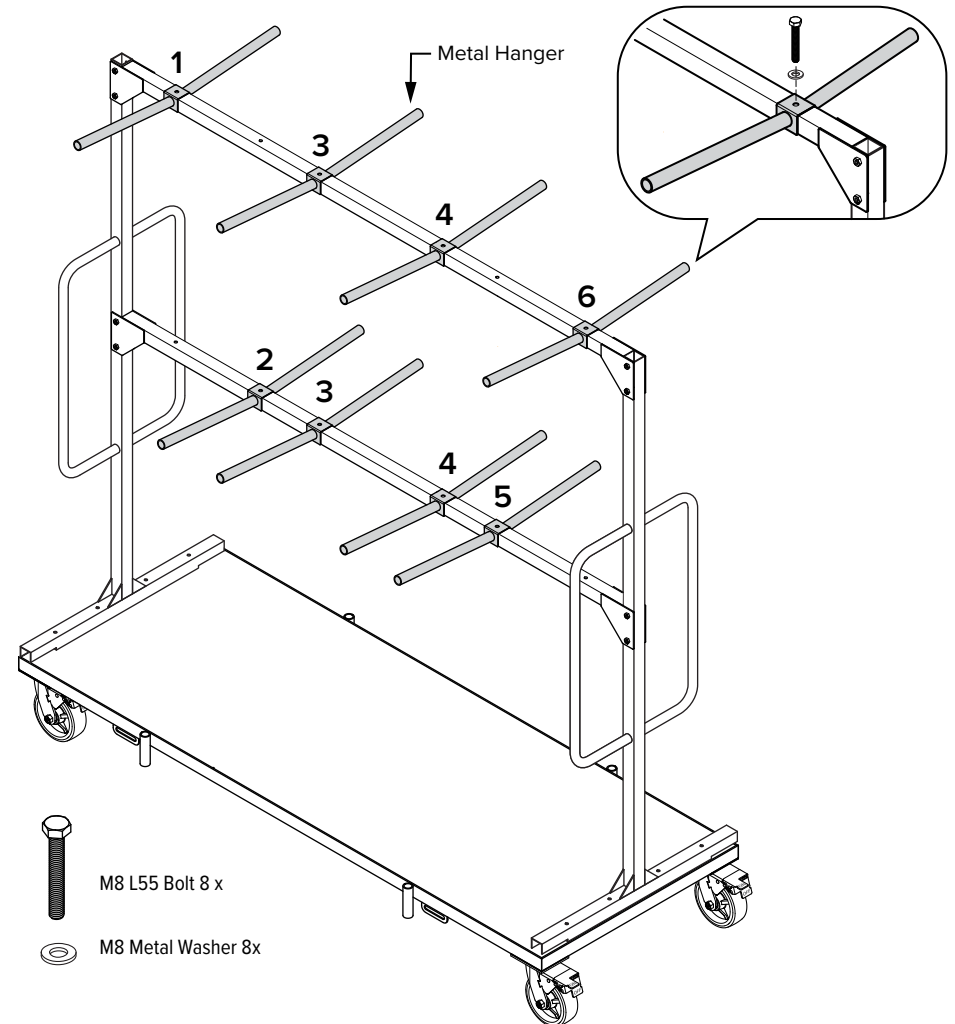
Install the mid cross bar in the same manner as the top cross bar using 4x M8 L55 bolts and 4x M8 metal washers.



STEP 7

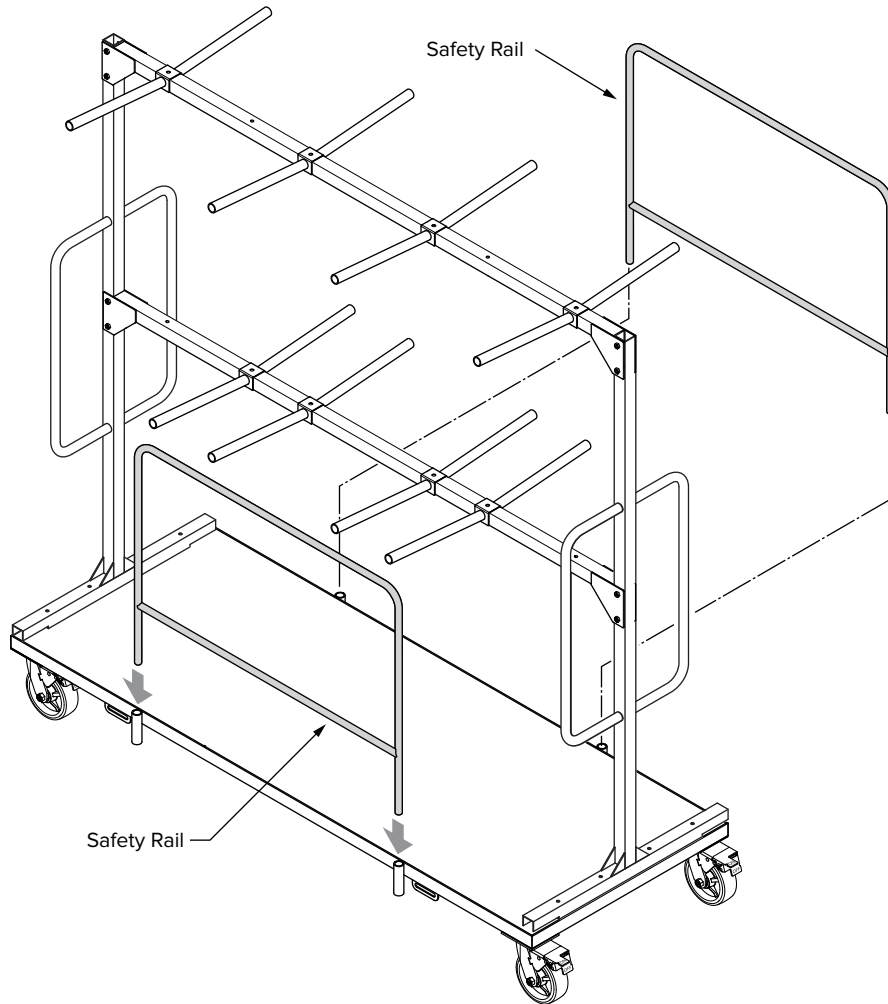
Unpack the metal hangers and install them to the cross bars using 1x M8 L55 bolt and 1x M8 metal washer per hanger.

Each cross bar has 6 holes. The hangers must be installed in the holes as numbered in the illustration below.



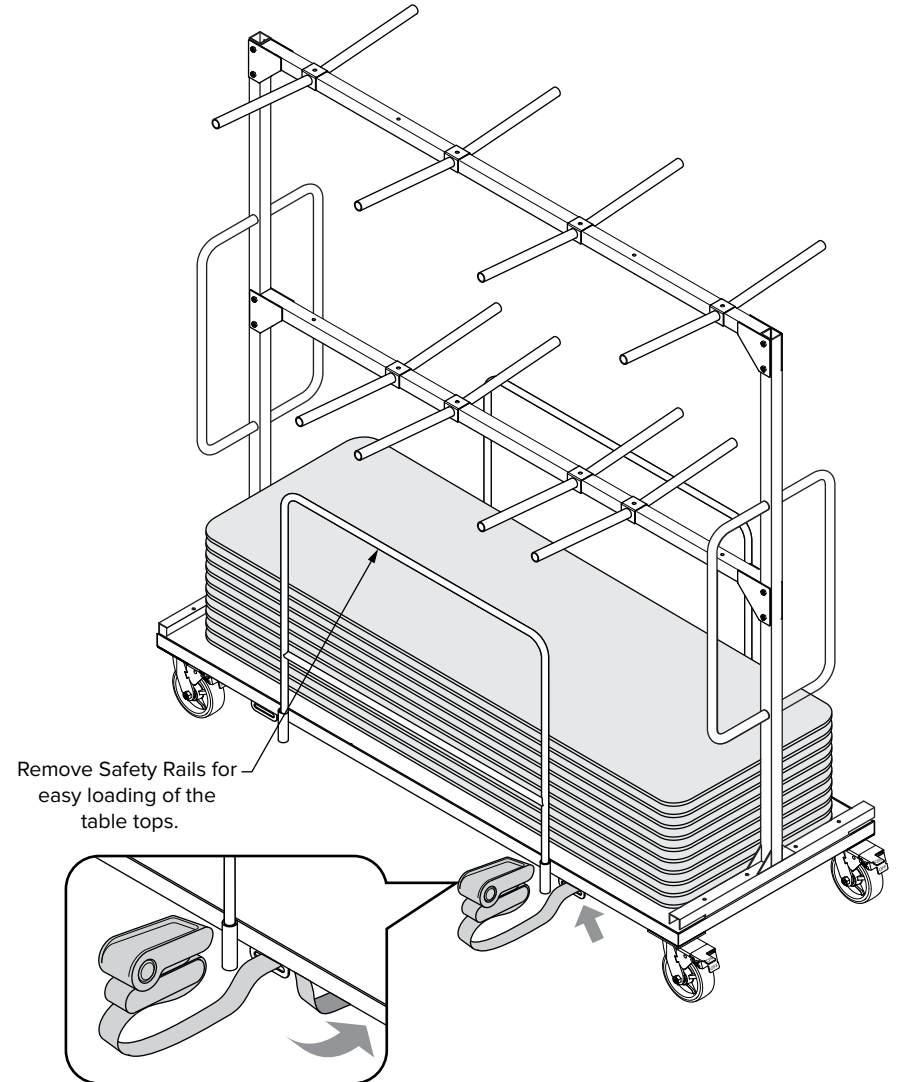
STEP 6

Place the removable safety rails into the holes on each side of the cart base.



STEP 7

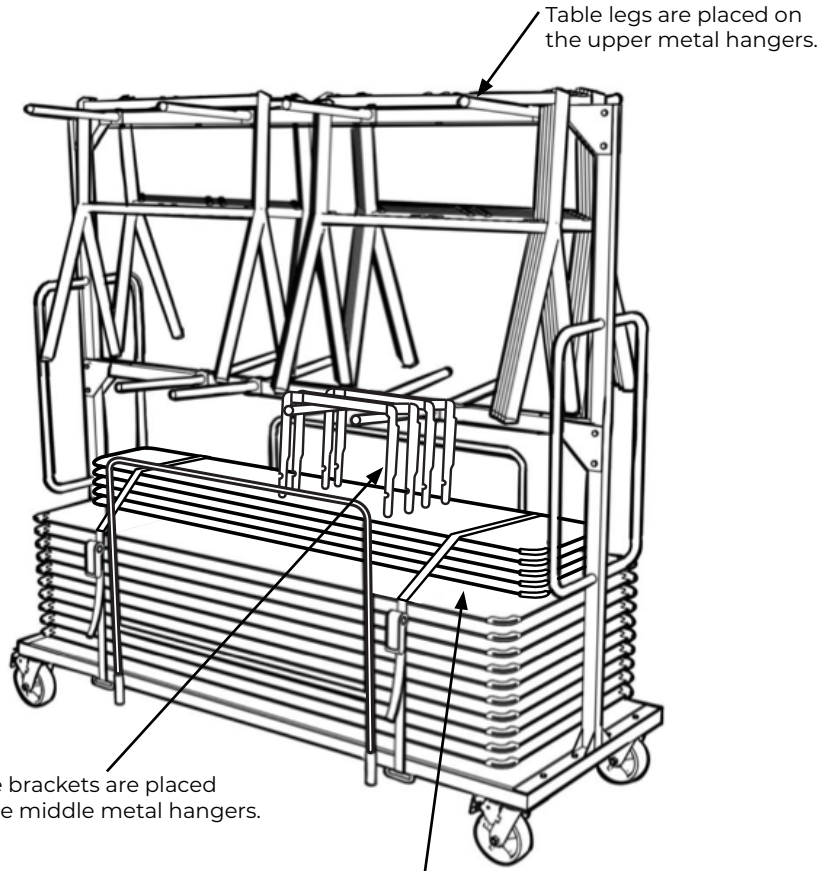
Thread each tie down ratchet strap through each slot at the bottom of the base unit. Each tie down ratchet strap goes underneath the base and up through the slot on the other side.



HOW TO LOAD THE CART

Safety First! Lock the casters before attempting to load the cart.

Be sure to tighten the tie down ratchet straps securely before transporting the cart to storage area.



Surface brackets are placed onto the middle metal hangers.

Stack table tops and shelves evenly on base. Pull both tie down ratchet straps tight to secure the table tops.

Always replace both safety rails before transporting the cart to storage.

SPECIFICATIONS

Assembled Dimensions 76.6 x 30 x 78.3 in
194.5 x 76.2 x 199 cm

Assembled Empty Weight 188 lbs
85.28 kg

**Maximum Load Weight
Not to exceed** 1168 lbs
530 kg

CARE AND CLEANING

- Using a power washer to clean the storage cart is not recommended.
- ALWAYS use a non-abrasive sponge or soft cloth.
- DO NOT use any abrasive materials such as scrapers or metal-based brushes.
- DO NOT use harsh chemicals or abrasive cleaners.