

BEFORE YOU BEGIN

Be sure to read all the instructions before attempting to assemble the Modulite Table System.

- Carefully remove all parts from the carton and inspect each part. If a part appears to be damaged or missing, please contact Rosseto Customer Support.

PARTS & ACCESSORIES

3 Level Table Kit

- 1 Set of 2 Table Legs
- 1 Rectangular HPL Table Shelf
- 2 Rectangular HPL Table Tops
- 2 Shelf Surface Brackets

2 Level Table Kit with Display Frame

- 1 Set of 2 Table Legs
- 2 Rectangular HPL Table Tops
- 1 Chalkboard Sign with Display Frame Kit

2 Level Quarter Round Table Kit

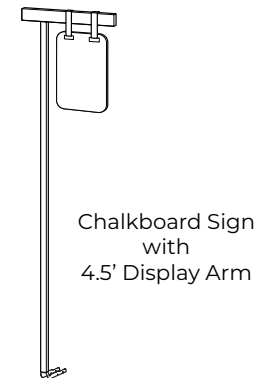
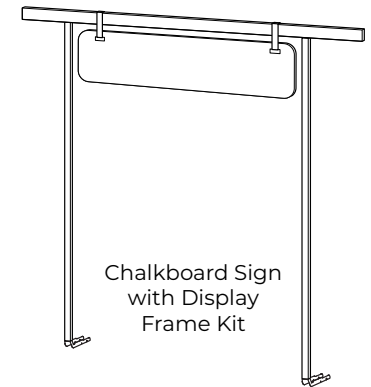
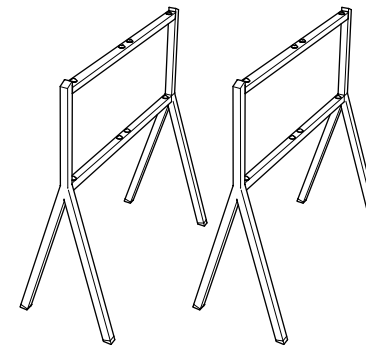
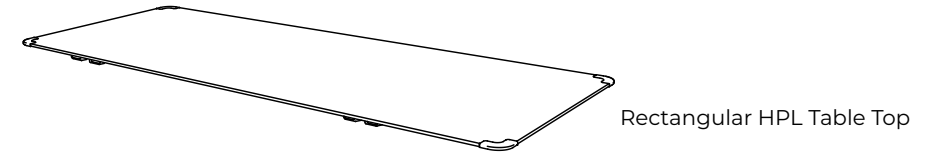
- 1 Set of 2 Table Legs
- 2 Quarter Round HPL Table Tops

Accessories

- Chalkboard Sign with 4.5 ft. Stainless Steel Display Arm
- Shelf Surface Bracket
- 14" diameter Round HPL Table Top

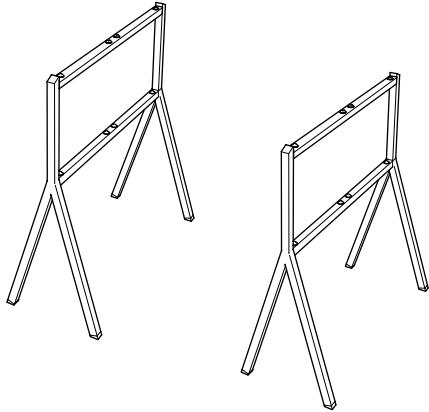
TABLE OF CONTENTS

3 Level Table Kit Assembly	2
2 Level Table Kit with Display Frame Assembly	3
2 Level Quarter Round Table Kit Assembly	4
Table Configurations	5
Specifications	6
Care and Cleaning	6

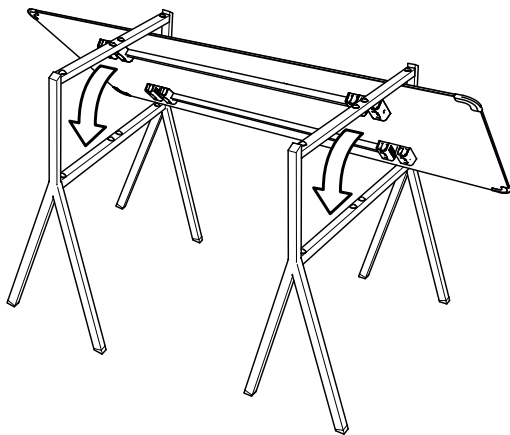


3 LEVEL TABLE KIT ASSEMBLY

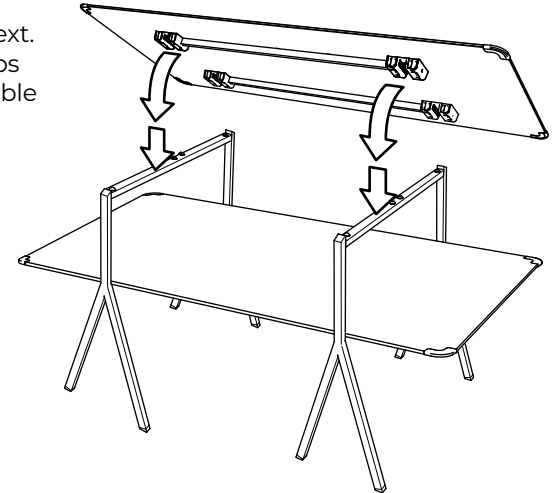
1. Position the table legs as shown in the illustration below. The table tops snap into position on the table leg cross supports.



2. Install the lower table top first. Adjust table legs as needed. Make sure the table top snaps firmly into position on the table leg supports.

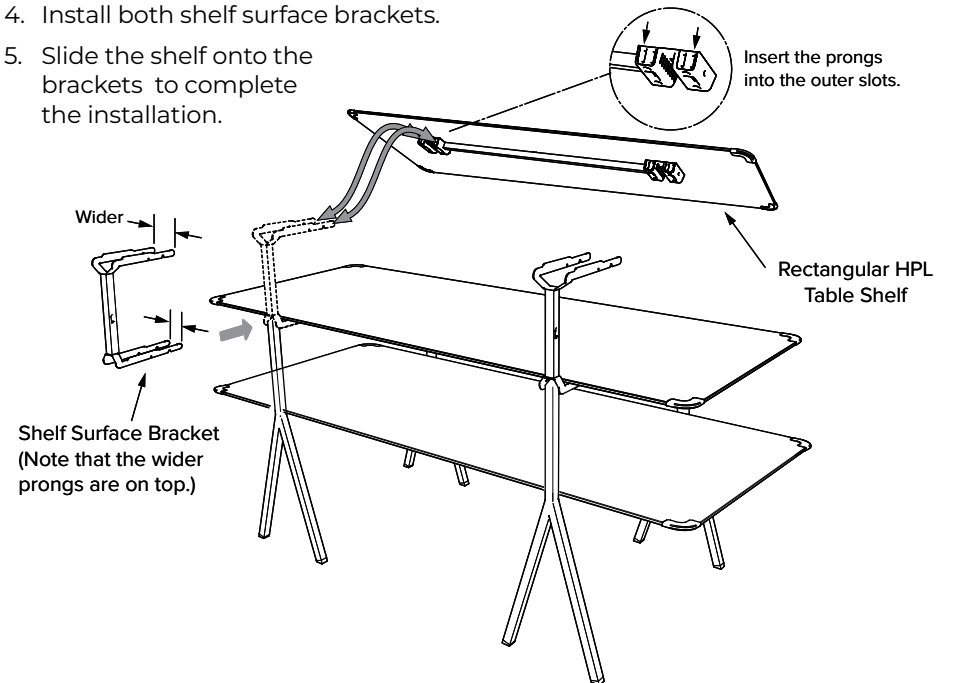


3. Install the upper table top next. Make sure the table top snaps firmly into position on the table leg supports.



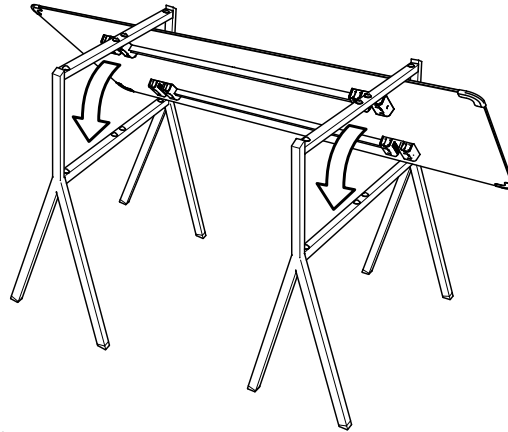
4. Install both shelf surface brackets.

5. Slide the shelf onto the brackets to complete the installation.

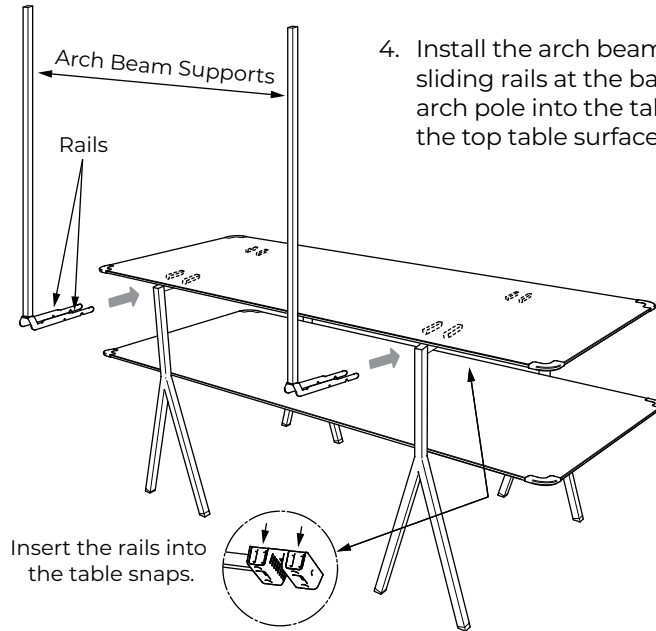
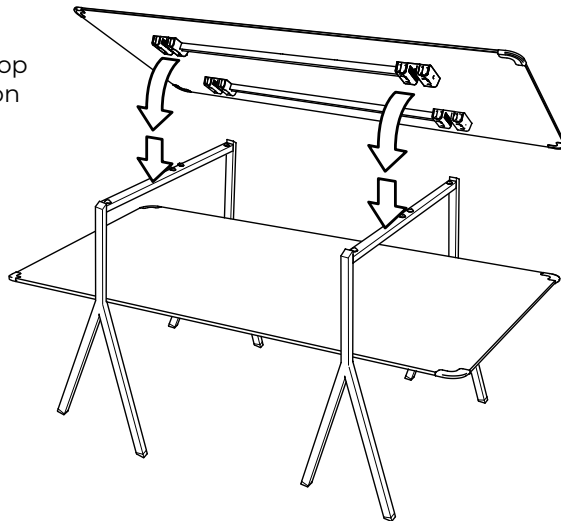


2 LEVEL TABLE KIT WITH DISPLAY FRAME ASSEMBLY

1. Position the table legs as shown in the illustration at right. The table tops snap into position on the table leg cross supports.
2. Install the lower table top first. Adjust table legs as needed. Make sure the table top snaps firmly into position on the table leg supports.

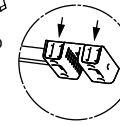


3. Install the upper table top next. Make sure the table top snaps firmly into position on the table leg supports.

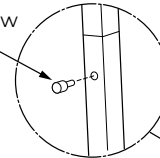


4. Install the arch beam supports by sliding rails at the base of the each arch pole into the table snaps under the top table surface.

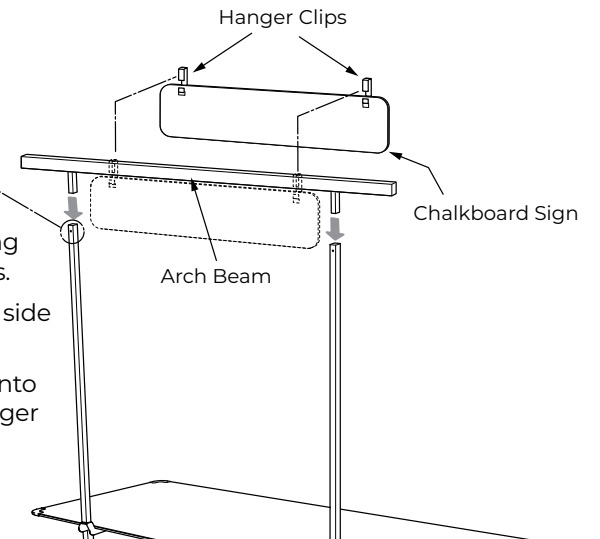
Insert the rails into the table snaps.



Thumbscrew

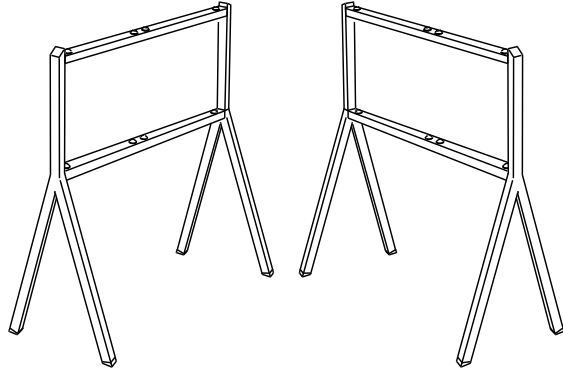


5. Install arch beam by inserting into the arch beam supports.
6. Install thumbscrew on each side as shown.
7. Hang the chalkboard sign onto the arch beam with the hanger clips provided.

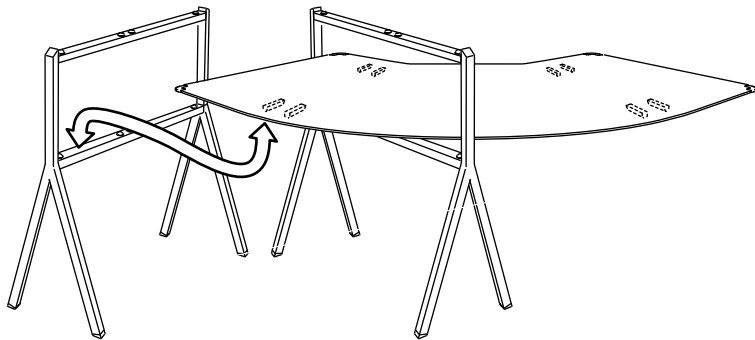


2 LEVEL QUARTER ROUND TABLE KIT ASSEMBLY

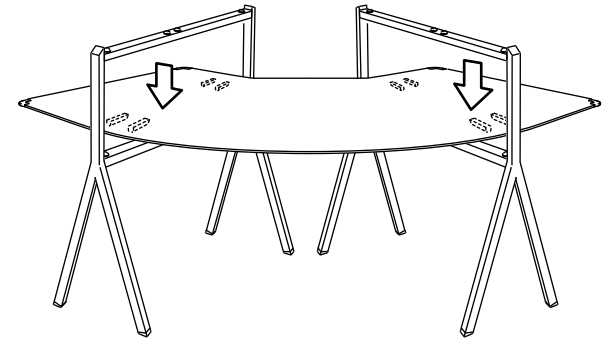
1. Position the table legs as shown in the illustration below.
The table tops snap into position on the table leg cross supports.



2. Slide the lower table top into position. Adjust table legs as needed so the snap-in brackets underneath the table top are lined up correctly over the lower table leg cross supports.



3. Once the lower table top is lined up, firmly press down on the table top to engage the snap-in brackets.



4. Install the upper table top last. Make sure the table top snaps firmly into position on the table leg supports.

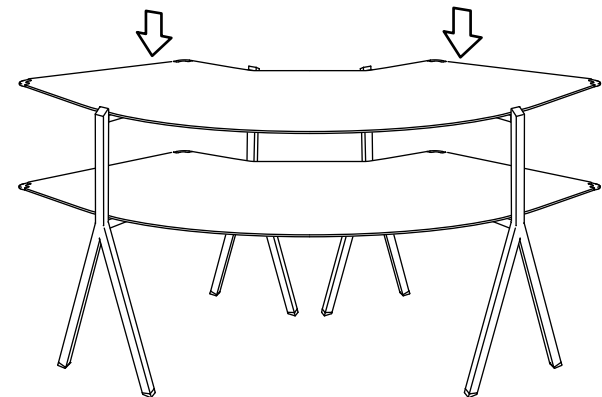
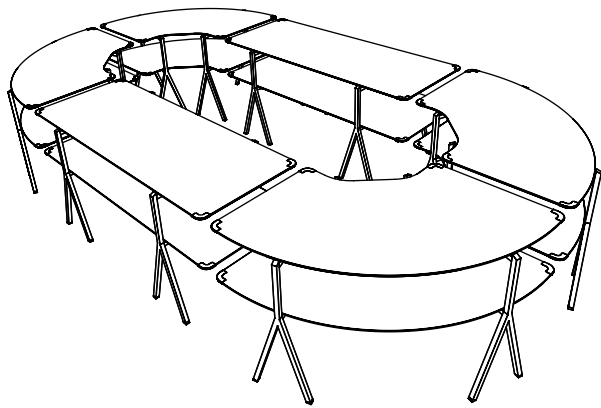
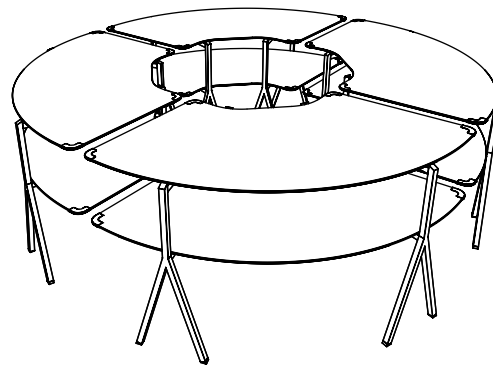


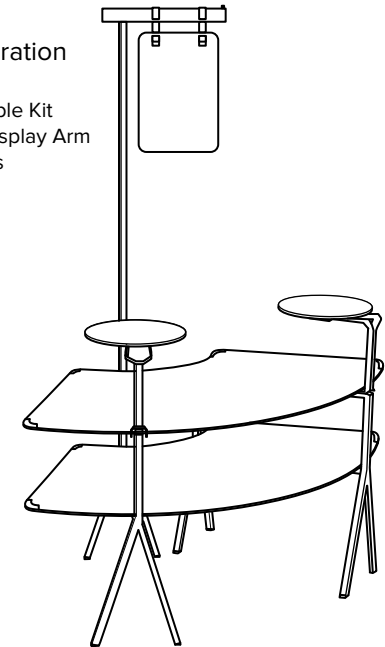
TABLE CONFIGURATIONS TO CONSIDER



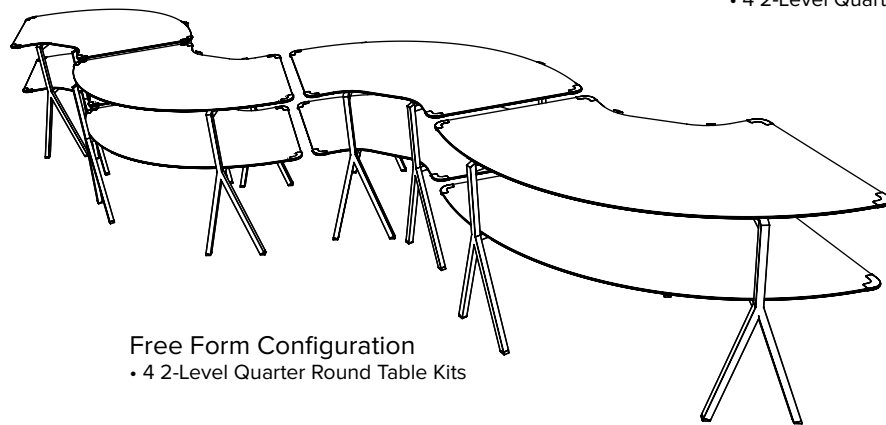
Oval Configuration
 • 4 2-Level Quarter Round Table Kits
 • 2 Table Leg Sets
 • 4 Rectangular HPL Table Tops



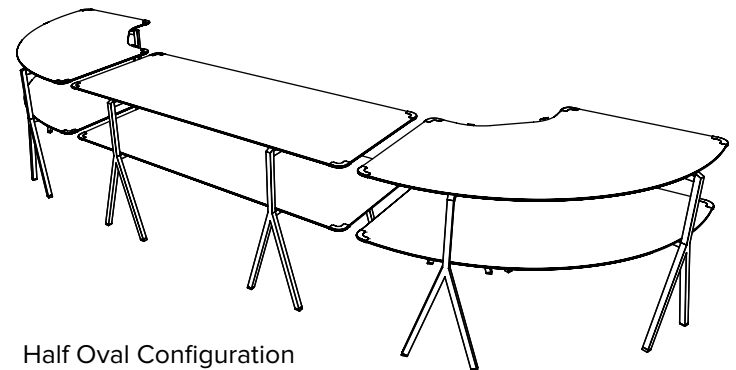
Round Configuration
 • 4 2-Level Quarter Round Table Kits



Quarter Round Configuration with Accessories
 • 1 2-Level Quarter Round Table Kit
 • 1 Chalkboard Sign w/4.5' Display Arm
 • 2 14" Round HPL Table Tops
 • 2 Shelf Surface Brackets



Free Form Configuration
 • 4 2-Level Quarter Round Table Kits



Half Oval Configuration
 • 2 2-Level Quarter Round Table Kits
 • 1 Table Leg Set
 • 2 Rectangular HPL Table Tops

SPECIFICATIONS

	ASSEMBLED DIMENSIONS	ASSEMBLED WEIGHT
TABLE TOP KIT		
3 Level TABLE Kit	71 x 30 x 43.2 in. 180.3 x 76.2 x 109.8 cm	114.83 lbs/52.09 kg
2 LEVEL TABLE KIT WITH DISPLAY FRAME	71 x 30 x 87.3 in. 180.3 x 76.2 x 221.7 cm	111.08 lbs/50.39 kg
2 LEVEL QUARTER ROUND TABLE KIT	64.5 x 33.5 x 31.8 in. 163.8 x 85.1 x 80.8 cm	71.33 lbs/32.35 kg

CARE AND CLEANING

- DO NOT put any part of the unit through dishwasher or dryer machine. ALWAYS use a non-abrasive sponge.
- DO NOT use any abrasive materials such as scrapers or metal-based brushes.
- DO NOT use harsh chemicals or abrasive cleaners.

Table Top Care:

Wipe down table top with a damp microfiber cloth. Always wipe dry with a microfiber cloth. Store in a dry and well-ventilated location.