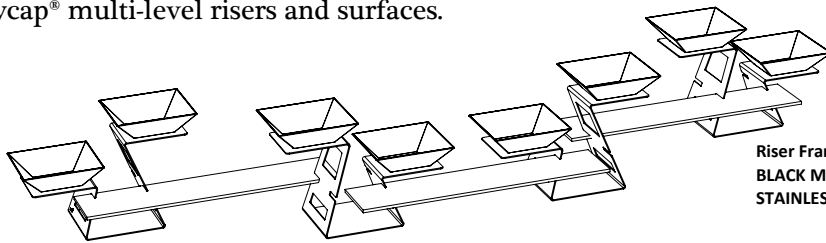
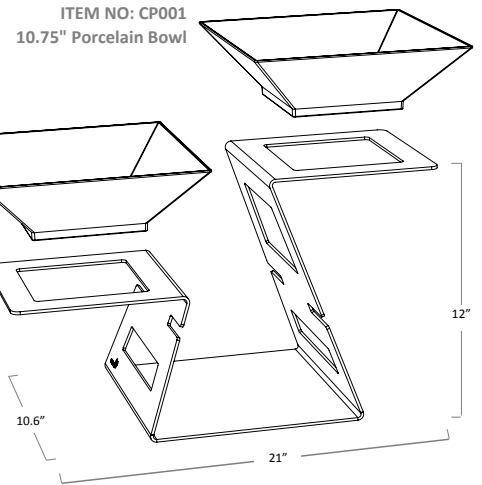


SWAN RISER SYSTEM (SM220/SM221)

With unparalleled versatility and graceful elegance, the majestic Swan Riser can be used as a stand-alone centerpiece or part of a wide-ranged serving station. This masterpiece features two premium quality porcelain bowls and a USA-made steel frame that integrates seamlessly with other Skycap® multi-level risers and surfaces.



Riser Frames available in:
BLACK MATTE (SM220)
STAINLESS STEEL (SM221)



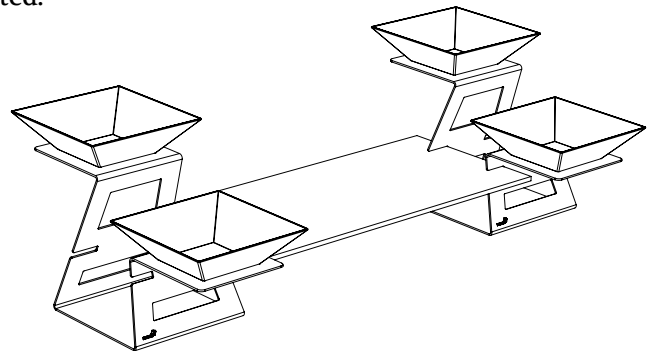
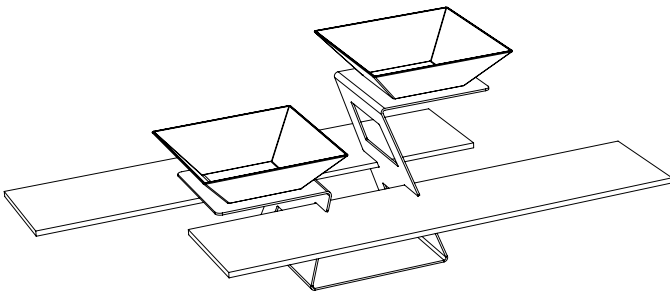
HANDLING TIPS & CARE INSTRUCTIONS

Before initial usage, hand wash the porcelain bowls with warm soapy water. Rinse thoroughly and dry with a soft cloth for best results. Do this after every use.

When setting up your Swan Riser serving station, make sure that your frame is stably set on an even surface, and that the weight on each side balances out.

Keep your Swan Riser System looking like new with these cleaning and handling tips:

- Do not place your Swan Riser frame in the dishwasher.
- Avoid using alcohol, ammonia, or any chemical-based cleaners.
- Do not use abrasive materials such as scrapers or metal-based brushes.
- Use a damp wash cloth to clean the steel frame; simple microfiber cloth is recommended.
- Stow your Swan Riser in its original box to keep it protected.



PACKAGING



Rosseto cares about keeping your product protected and keeping the environment clean! Your Swan Riser System comes packaged in an easily recyclable double-wall corrugated cardboard. If you are not using it to stow your Rosseto item, please dispose of the carton properly.

NEED ASSISTANCE?

Please contact our customer support at (847)763-1215 and we'll be happy to assist with any assembly questions, comments or concerns.

ROSSETO® 3714 Jarvis Avenue, Skokie, IL 60076

Visit our website at: www.rosseto.com