

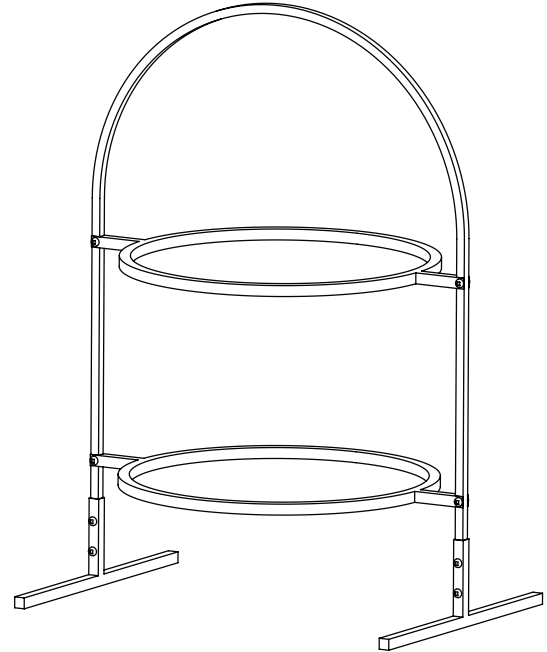
Multi-Tiered Round Stand

Instruction & Specification Sheet for Models
GST08BFP, GST08GFP, GST08WFP, GST08CFP, GST08MFP, GST08FWFP

BEFORE YOU BEGIN

Be sure to read all the instructions before attempting to assemble the Multi-Tiered Stand.

- Carefully remove all parts from the carton and inspect each part. If a part appears to be damaged or missing, please contact Rosseto Customer Service.
- Parts Included:
 - a – 1 Curved frame
 - b – 2 Round tiers
 - c – 2 Foot assemblies
 - d – 12 Allen head screws (Allen wrench included)



ASSEMBLING THE PARTS

Note: In order to avoid any misalignment, do not fully tighten the Allen screws until all parts have been attached. This applies to Steps 1 and 2.

Step 1

Insert the curved frame ends into each foot assembly making sure that the curved frame ends sit fully down in both foot assemblies.

The holes on the feet assembly should align with bottom holes in the curved frame. Insert 2 Allen screws into holes in each foot.

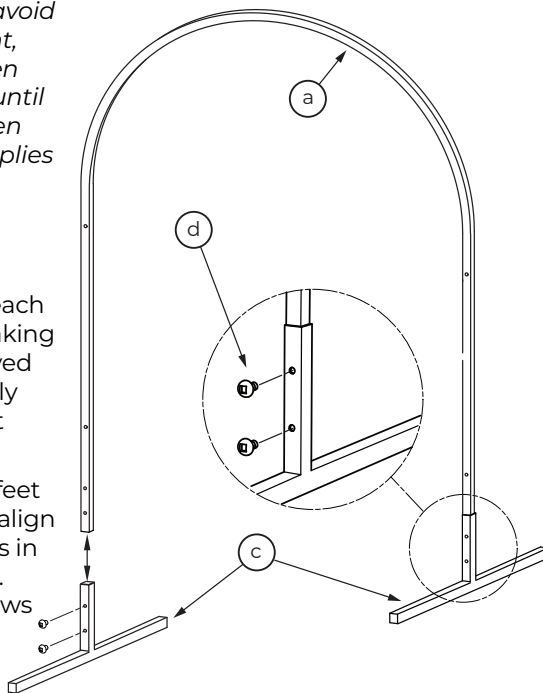


Figure 1

Step 2

Align holes in the end of the first round tier with the lower holes in the left side of the curved frame. Insert Allen screws in front and back.

Align the right side of the round tier with the lower holes on the right side of the curved frame and insert Allen screws in front and back.

Repeat the above steps for the upper Round tier.

Go back and fully tighten all 12 Allen screws.

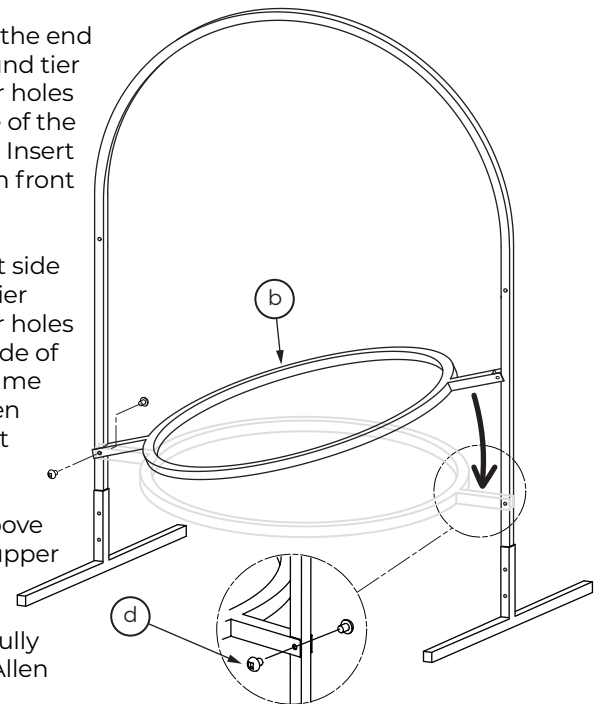


Figure 2



Multi-Tiered Round Stand

Instruction & Specification Sheet for Models
GST08BFP, GST08GFP, GST08WFP, GST08CFP, GST08MFP, GST08FWFP

SPECIFICATIONS

DIMENSION	INCHES	CM
A	15 3/8"	(39 cm)
B	10 5/8"	(27 cm)
C	21 3/4"	(55.2 cm)
D (diameter)	10 1/2"	(26.6 cm)

WEIGHT

Stand with 2 round glass platters	12 lbs/5.5 kg
Stand with 2 round glass bowls	16 lbs/7.25 kg

CLEANING & CARE INSTRUCTIONS

- DO NOT put any part of the unit through dishwasher or dryer machine. ALWAYS use a non-abrasive sponge.
- DO NOT use any abrasive materials such as scrapers or metal-based brushes.
- DO NOT use harsh chemicals or abrasive cleaners.

Metal Care:

Wipe down with damp microfiber cloth and always wipe dry with a microfiber cloth. Store in a dry and well-ventilated location.

