

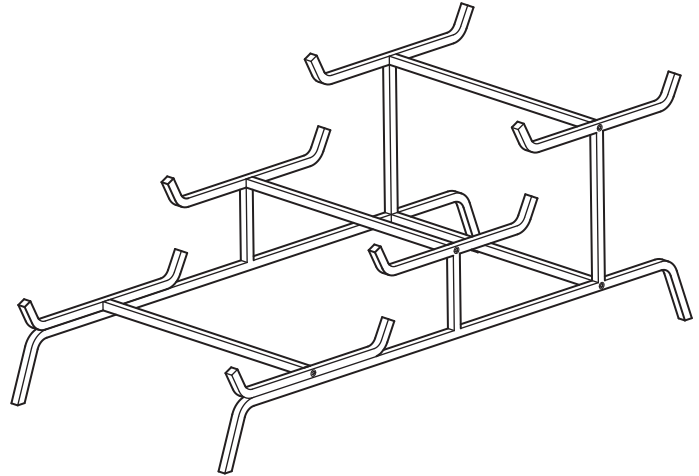
# Multi-Tiered Stand

Instruction & Specification Sheet for Models GST01BFP and GST01WFP

## BEFORE YOU BEGIN

Be sure to read all the instructions before attempting to assemble the Multi-Tiered Stand.

- Carefully remove all parts from the carton and inspect each part. If a part appears to be damaged or missing, please contact Rosseto Customer Service.
- Parts Included:
  - a – 2 Side frame assemblies
  - b – 4 Cross pieces
  - c – 8 Allen flat head screws (Allen wrench included)



## ASSEMBLING THE PARTS

1. Attach the 4 cross pieces to a side frame using 4 of the Allen screws as shown in Figure 1 below. Do not fully tighten the screws yet.

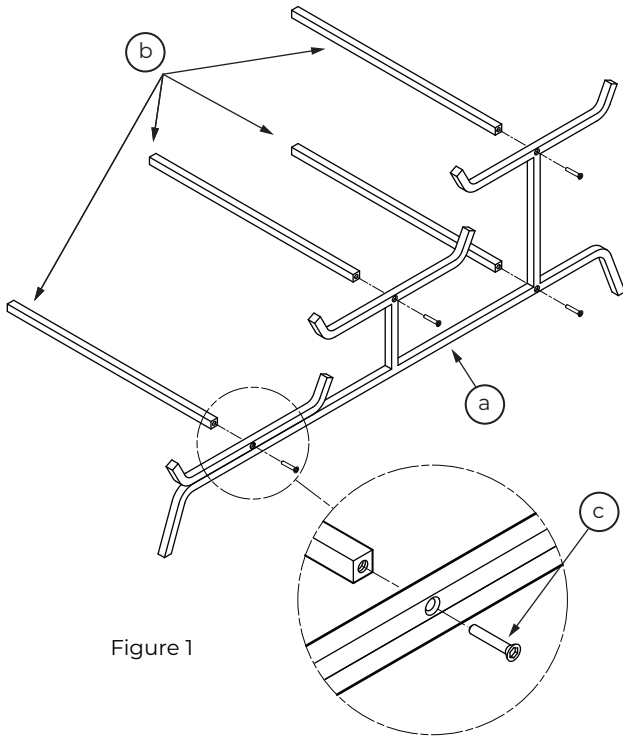


Figure 1

2. Place the stand on a flat surface. Attach the opposite side frame to the cross pieces using 4 Allen screws. Be sure all 4 feet of the stand are touching the surface, before fully tightening all screws with the Allen wrench. See Figure 2 below.

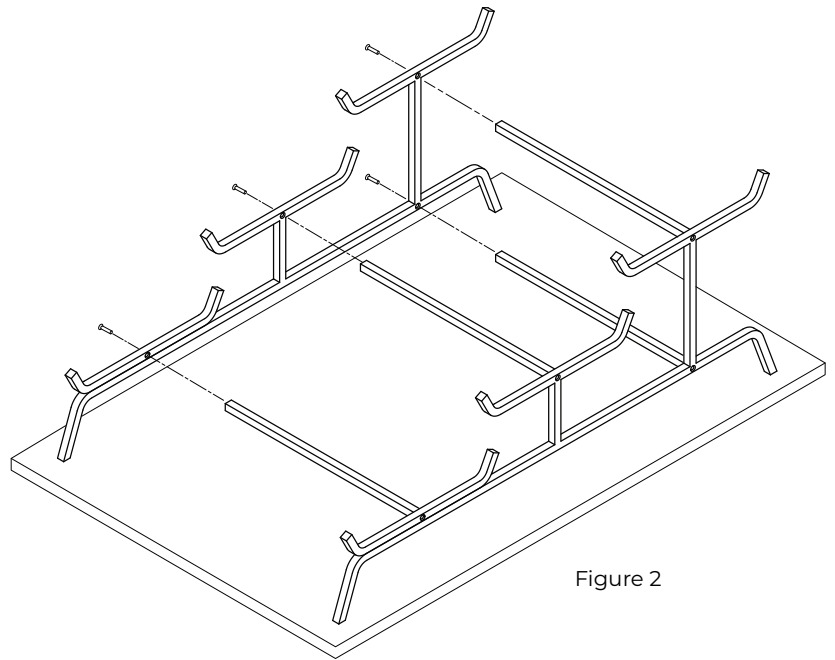


Figure 2



# Multi-Tiered Stand

Instruction & Specification Sheet for Models GST01BFP and GST01WFP

## SPECIFICATIONS

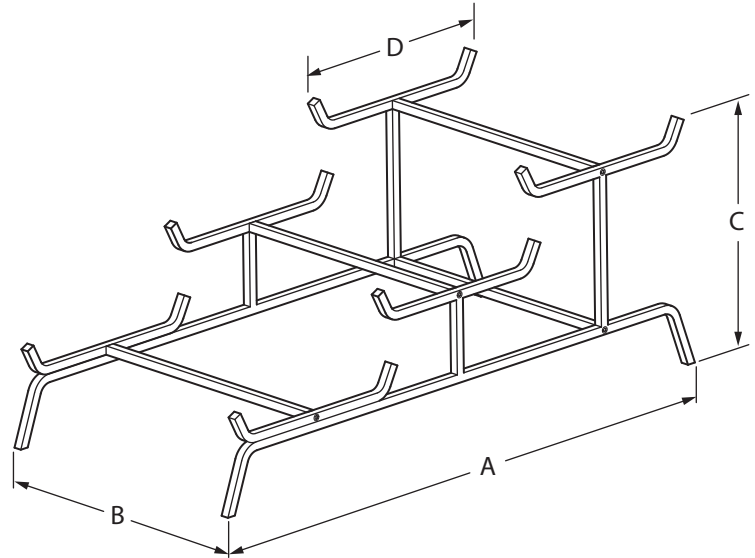
### STAND ONLY

DIMENSION	INCHES	CM
A	22 1/2"	(57 cm)
B	10 5/8"	(27 cm)
C	9 1/4"	(24 cm)
D	7 3/4"	(20 cm)

### STAND WITH 3 GLASS TRAYS

22 1/4" X 22 1/2" X 9 5/8" (L X W X H)  
56.52 X 57.15 X 24.45 cm

**WEIGHT** 20 lbs/9 kg  
(Includes stand and 3 glass trays)



## CLEANING & CARE INSTRUCTIONS

- DO NOT put any part of the unit through dishwasher or dryer machine. ALWAYS use a non-abrasive sponge.
- DO NOT use any abrasive materials such as scrapers or metal-based brushes.
- DO NOT use harsh chemicals or abrasive cleaners.

### Metal Care:

Wipe down with damp microfiber cloth and always wipe dry with a microfiber cloth. Store in a dry and well-ventilated location.

