

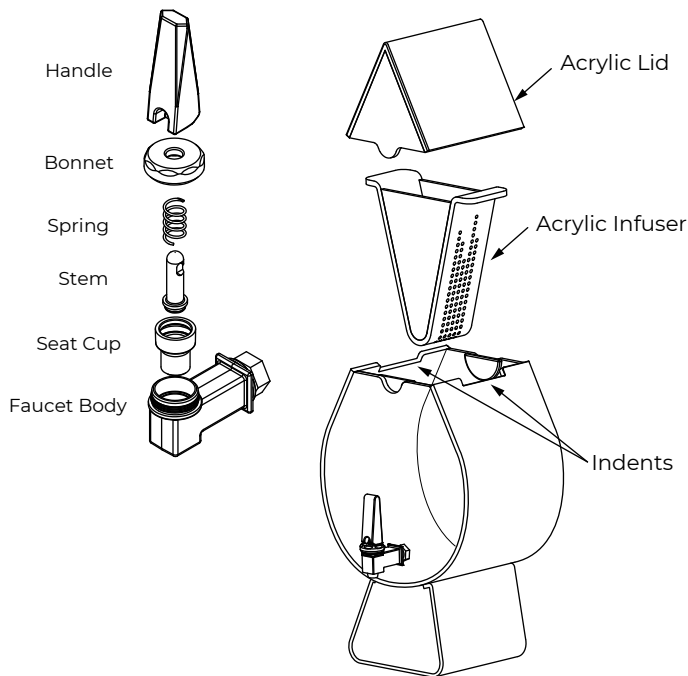
Tear Drop Beverage Dispenser

Instruction & Specification Sheet for Models LD213 and LD214

BEFORE YOU BEGIN

Be sure to read all the instructions before using the Tear Drop Beverage Dispenser.

- Carefully remove all parts from the carton and inspect each part. If a part appears to be damaged or missing, please contact Rosseto Customer Service.
- For best results, use filtered or bottled water in dispenser.
- Store these instructions for future reference.



Tear Drop Beverage Dispensers

Model Number	Description
LD213	Tear Drop 3 Gallon White Dispenser
LD214	Tear Drop 3 Gallon Black Dispenser

Replacemenet Parts

Item Number	Description
LDL023	Lid Tear Drop 3 Gallon White Dispenser
LDL024	Lid Tear Drop 3 Gallon Black Dispenser
LDF022	Clear Acylic Infuser
LDM006	Stainless Steel Faucet

SETTING UP THE BEVERAGE DISPENSER

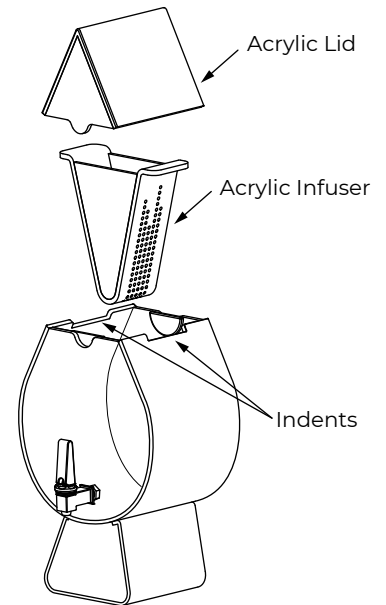
Before first use, make sure to hand wash all components in warm soapy water. **This dispenser is not dishwasher safe!** Always place the unit on a flat and stable surface.

Step 1 Gently place the Infuser in the designated indents on the tank.

Step 2 Fill the Infuser with the desired food product.

Step 3 Fill the Tank with desired cold beverage.

Step 4 Place the Lid on top of the Tank.



CARING FOR THE BEVERAGE DISPENSER

Keep your beverage dispenser in good working order with these cleaning and handling tips:

- **Do not place any part of your beverage dispenser in the freezer or dishwasher.**
- Hand wash all acrylic parts with warm soapy water.
- Rinse and dry with clean microfiber cloth for best results.
- Do not use alcohol, ammonia, or any chemical based cleaners to clean dispenser.
- Do not use abrasive materials such as scrapers or metal based brushes on dispenser.
- **Do not use hot liquids with this beverage dispenser. Only use cold liquids.**
- When not in use, always store in a dry and well-ventilated location.



Tear Drop Beverage Dispenser

Instruction & Specification Sheet for Models LD213 and LD214

CLEANING THE FAUCET PARTS

How to Disassemble The Faucet

Step 1 Detach faucet from dispenser by unscrewing hex nut from inside tank (Figures A-1 & A-2).

Step 2 Pull out faucet body and silicone washer from front, retrieve hex nut from inside tank.

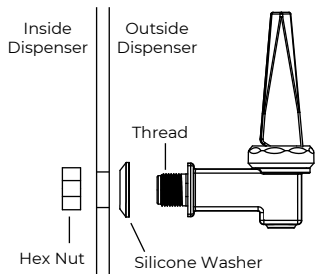


Figure A-1

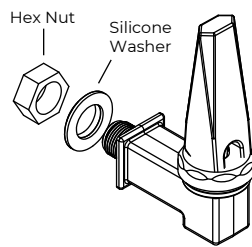


Figure A-2

Step 3 Detach upper assembly from faucet body by unscrewing bonnet (Figure B). Once the upper assembly is separated from the faucet body, pull seat cup away from handle/bonnet (Figure C). NOTE: If seat cup remains in faucet body after it was detached from the upper assembly, remove seat cup from faucet body.

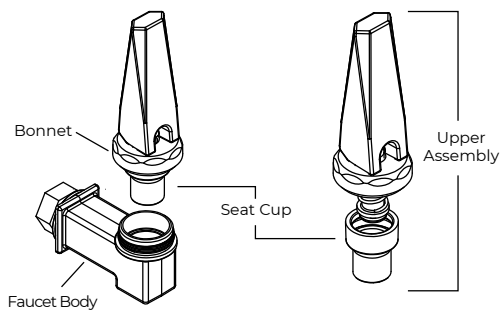


Figure B

Figure C

Step 4 Clean all parts in warm soapy water. **Do not place any parts in the dishwasher or use alcohol, ammonia, or any chemical based cleaners.**

How to Assemble The Faucet

Step 1 Place seat cup over stem/spring on upper assembly. Securely lock the stem into the base of the seat cup. You will know when the seat cup is securely locked in place when it will not detach from stem easily.

Step 2 Hand tighten upper assembly/bonnet onto faucet body. You will know that the bonnet is properly installed if no threads can be seen on the faucet body.

Step 3 Place silicone washer over threads on faucet body MAKING SURE THE SILICONE WASHER IS FLUSH WITH THE BACK OF FAUCET BODY (Figures A-1 & A-2). Install the faucet body onto body of dispenser

Step 4 With one hand, place threaded end of the faucet body through hole in front of the dispenser. With the other hand, screw the hex nut onto the faucet from the inside of dispenser to secure. Hand tighten only.

Step 5 Fill container at location of dispensing. Drain the dispenser at the end of the day before moving. If full, 2 people are required to move dispenser.

SPECIFICATIONS

ASSEMBLED DIMENSIONS	12 X 13.75 X 23.25 Inches 30.48 X 34 .93 X 59.06 cm
ASSEMBLED WEIGHT	13.75 lbs/6.24 kg
CAPACITY	3 Gallons / 11.4 Liters

