

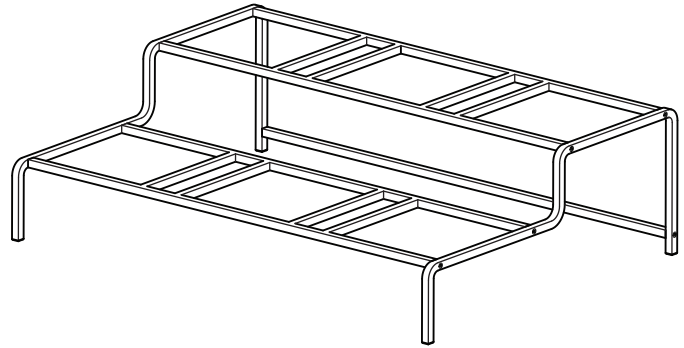
# Multi-Tiered Condiment Stand

Instruction & Specification Sheet for Models GST04BFP and GST04WFP

## BEFORE YOU BEGIN

Be sure to read all the instructions before attempting to assemble the Stand.

- Carefully remove all parts from the carton and inspect each part. If a part appears to be damaged or missing, please contact Rosseto Customer Service.
- Parts Included:
  - a – 2 Side frame assemblies
  - b – 2 Horizontal assemblies
  - c – 1 Cross piece
  - d – 10 Allen flat head screws (Allen wrench included)



## ASSEMBLING THE PARTS

1. Attach the 2 horizontal frame assemblies and cross piece to a side frame using 5 of the Allen screws as shown in Figure 1 below. Do not fully tighten the screws yet.
2. Place the stand on a flat surface. Attach the opposite side frame to the 2 horizontal assemblies and cross piece using 5 Allen screws. Be sure all 4 feet of the stand are touching the surface before fully tightening all screws with the Allen wrench. See Figure 2 below.

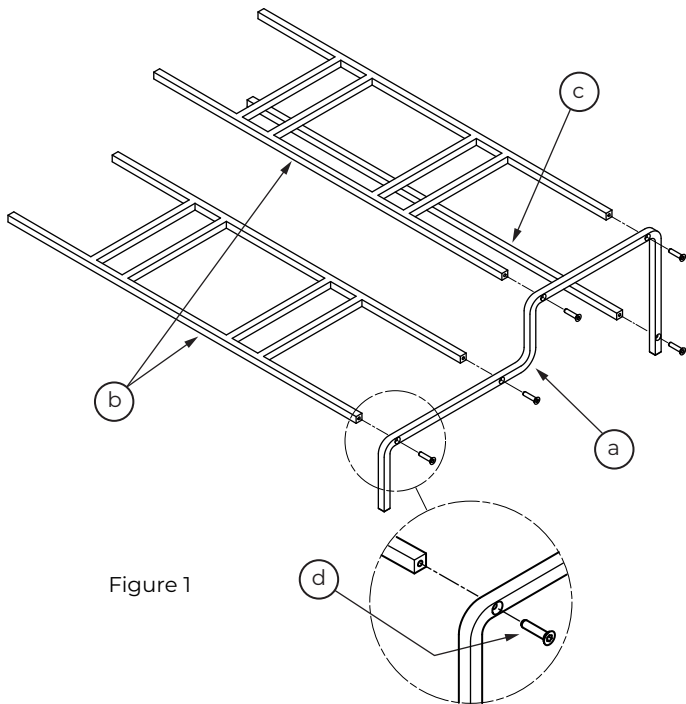


Figure 1

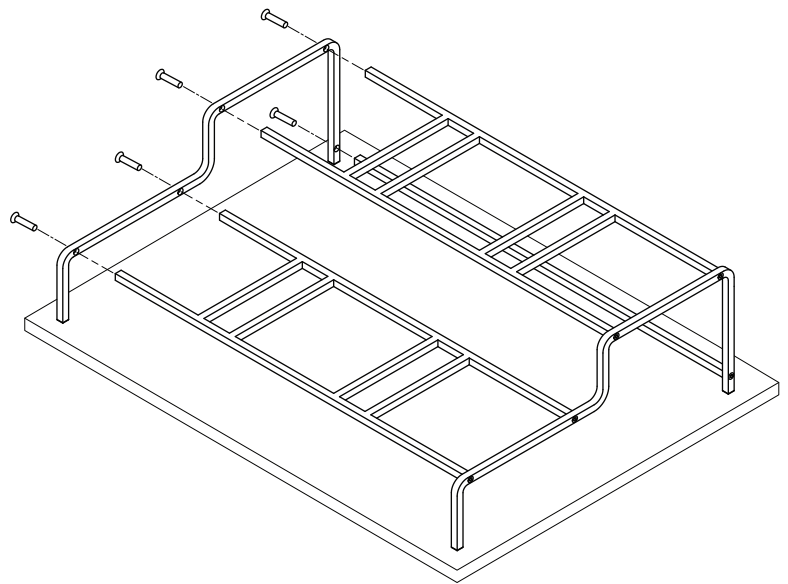
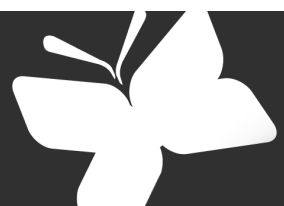


Figure 2



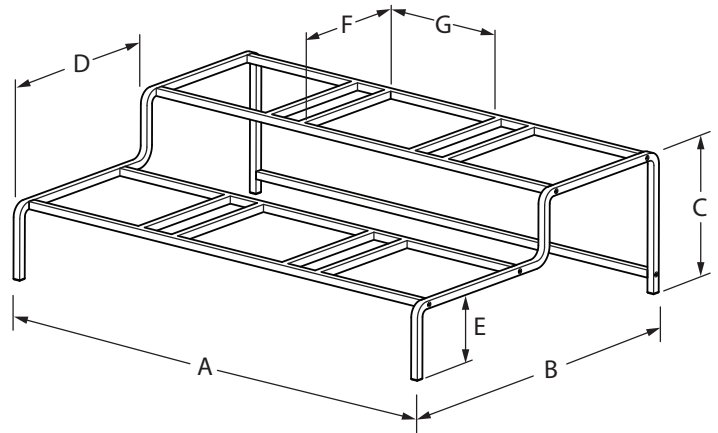
# Multi-Tiered Condiment Stand

Instruction & Specification Sheet for Models GST04BFP and GST04WFP

## SPECIFICATIONS

| DIMENSION | INCHES  | CM      |
|-----------|---------|---------|
| A         | 20 1/2" | (52 cm) |
| B         | 14 7/8" | (38 cm) |
| C         | 5 3/4"  | (15 cm) |
| D         | 8"      | (20 cm) |
| E         | 3 1/4"  | (8 cm)  |
| F         | 6"      | (15 cm) |
| G         | 5 1/4"  | (13 cm) |

**WEIGHT** 15 lbs/7 kg  
(Includes stand and 6 glass bowls)



## CLEANING & CARE INSTRUCTIONS

- DO NOT put any part of the unit through dishwasher or dryer machine. ALWAYS use a non-abrasive sponge.
- DO NOT use any abrasive materials such as scrapers or metal-based brushes.
- DO NOT use harsh chemicals or abrasive cleaners.

### Metal Care:

Wipe down with damp microfiber cloth and always wipe dry with a microfiber cloth. Store in a dry and well-ventilated location.

