

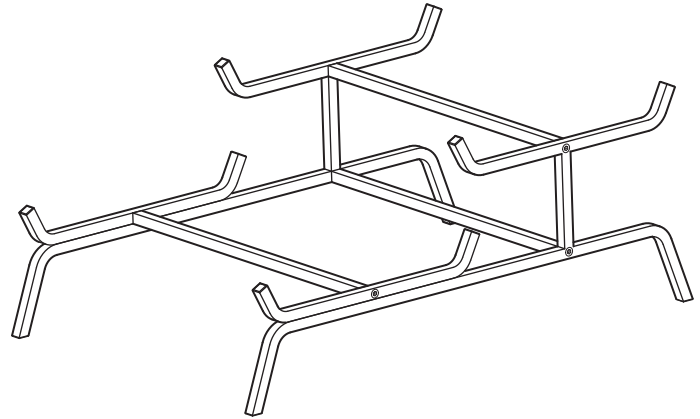
# Multi-Tiered Stand

Instruction & Specification Sheet for Models GST02BFP and GST02WFP

## BEFORE YOU BEGIN

Be sure to read all the instructions before attempting to assemble the Multi-Tiered Stand.

- Carefully remove all parts from the carton and inspect each part. If a part appears to be damaged or missing, please contact Rosseto Customer Service.
- Parts Included:
  - a – 2 Side frame assemblies
  - b – 3 Cross pieces
  - c – 6 Allen flat head screws (Allen wrench included)



## ASSEMBLING THE PARTS

1. Attach the 3 cross pieces to a side frame using 3 of the Allen screws as shown in Figure 1 below. Do not fully tighten the screws yet.
2. Place the stand on a flat surface. Attach the opposite side frame to the cross pieces using 3 Allen screws. Be sure all 4 feet of the stand are touching the surface, before fully tightening all screws with the Allen wrench. See Figure 2 below.

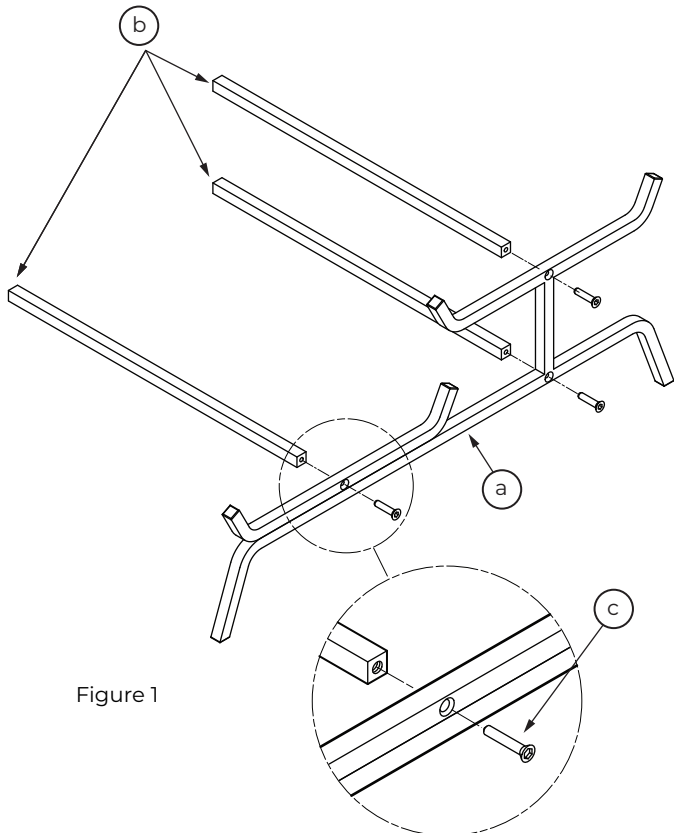


Figure 1

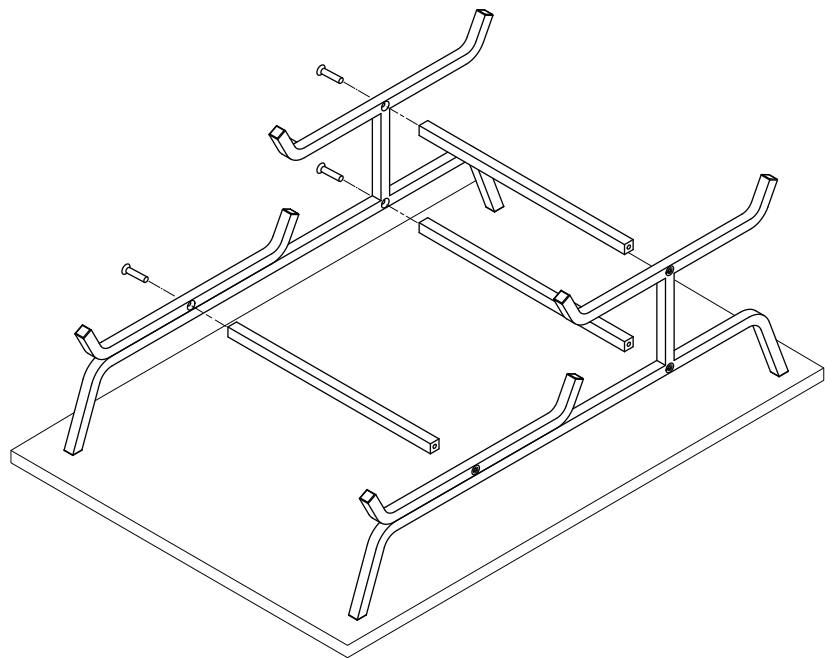
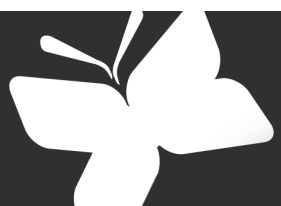


Figure 2



# Multi-Tiered Stand

Instruction & Specification Sheet for Models GST02BFP and GST02WFP

## SPECIFICATIONS

### STAND ONLY

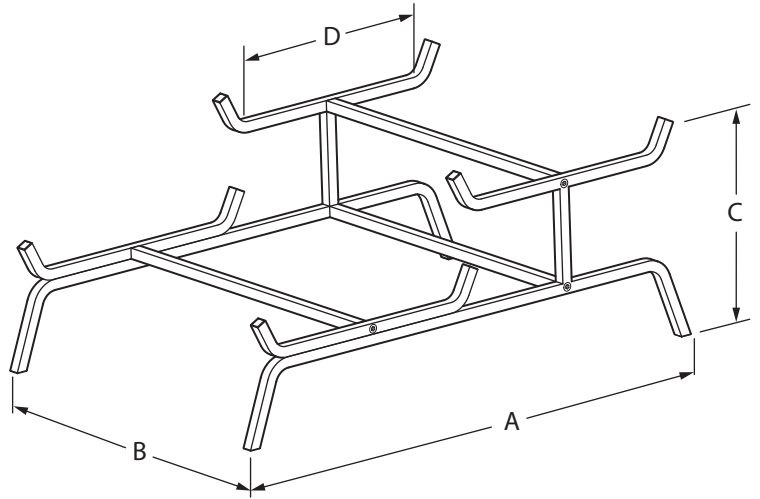
DIMENSION	INCHES	CM
A	15 3/4"	(27 cm)
B	10 3/4"	(40 cm)
C	6 1/4"	(16 cm)
D	10 5/8"	(27 cm)

### STAND WITH 2 GLASS TRAYS

22 1/4" X 15 3/4" X 7" (L X W X H)  
56.52 X 40.01 X 17.78 cm

WEIGHT 15 lbs/7 kg

(includes stand and 2 glass trays)



## CLEANING & CARE INSTRUCTIONS

- DO NOT put any part of the unit through dishwasher or dryer machine. ALWAYS use a non-abrasive sponge.
- DO NOT use any abrasive materials such as scrapers or metal-based brushes.
- DO NOT use harsh chemicals or abrasive cleaners.

### Metal Care:

Wipe down with damp microfiber cloth and always wipe dry with a microfiber cloth. Store in a dry and well-ventilated location.

