

BULKshop Gondola Kit E

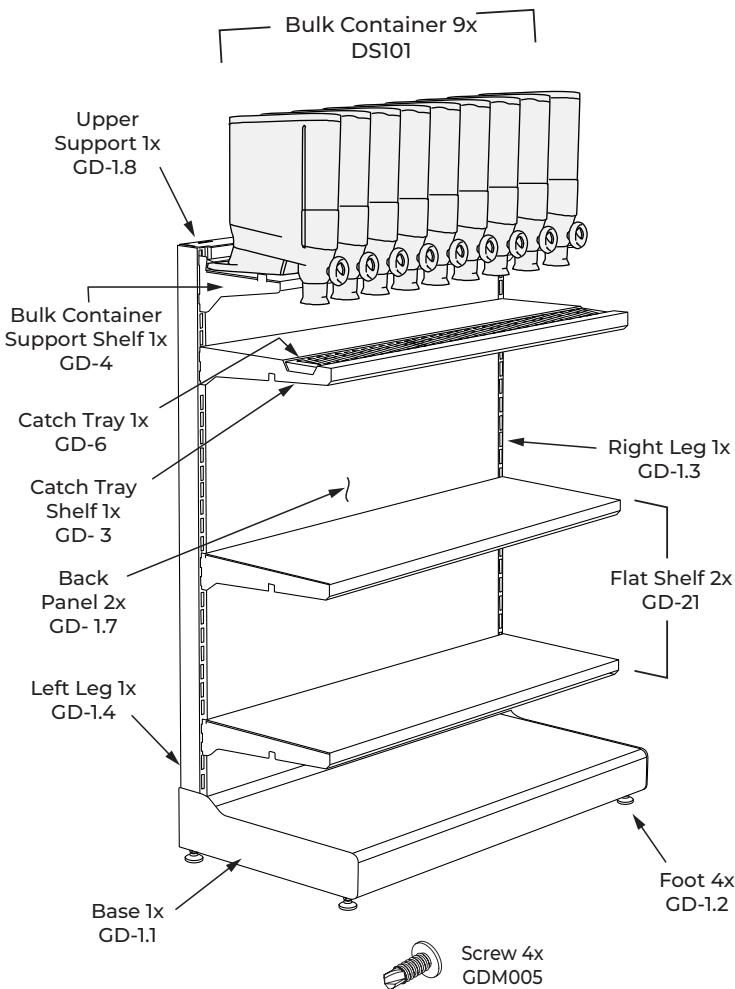
Instruction & Specification Sheet GK2202 (Black) & GK2204 (White)

BEFORE YOU BEGIN

Be sure to read all the instructions before attempting to assemble the BULKshop Gondola Kit E.

- Carefully remove all parts from the carton and inspect each part. If a part appears to be damaged or missing, please contact Rosseto Customer Service.

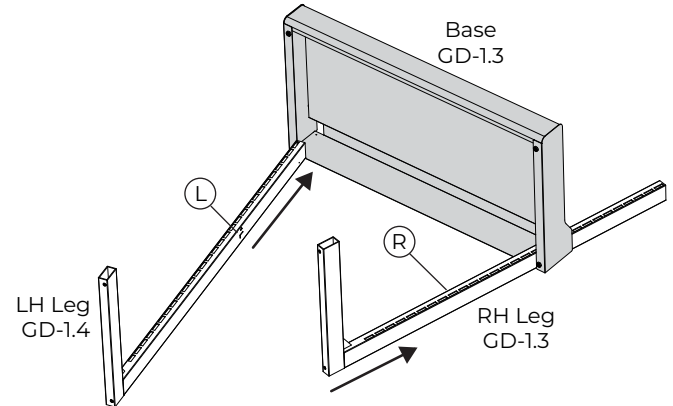
PARTS GK2202 & GK2204



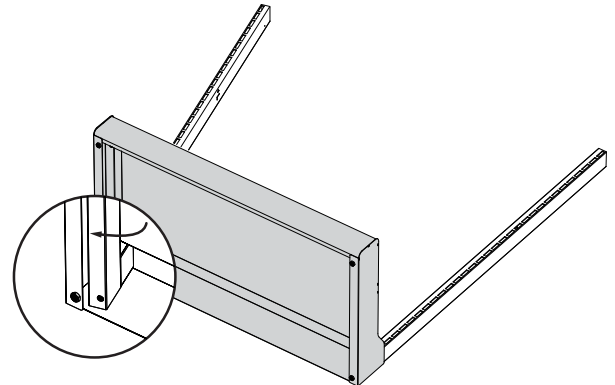
ASSEMBLING THE GONDOLA

Assemble the Gondola on a flat and level surface.

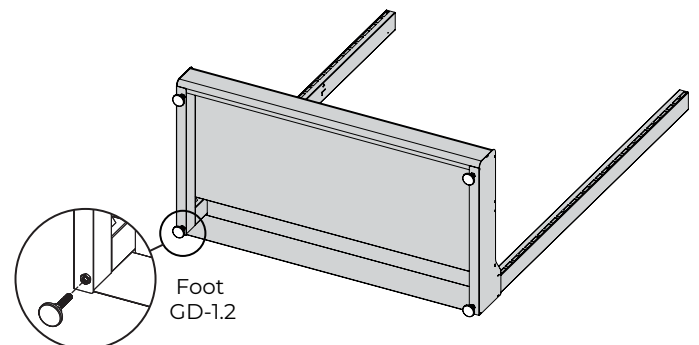
1. Insert each Leg into the hole on each side of the Base at a slight angle to avoid scratching the Leg during step 2.



2. Slide each Leg into position. Straighten each Leg until holes on legs align with base as shown below.



3. Screw in Foot, (4 places).



NEED ASSISTANCE?

Customer Service Support: **847-763-1215**

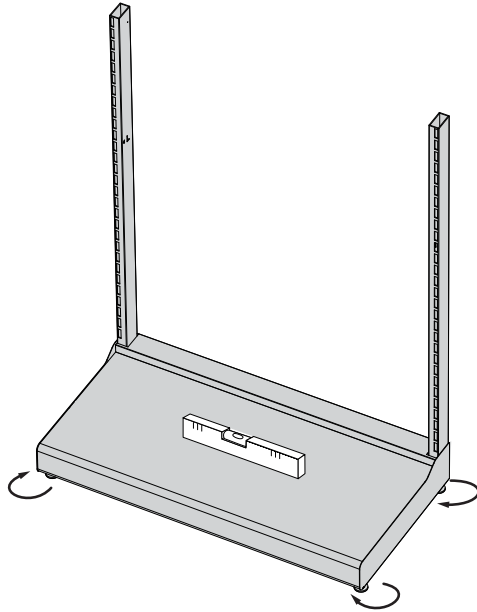
Address: **3714 Jarvis Avenue Skokie, IL 60076**

Website: **www.rosseto.com**

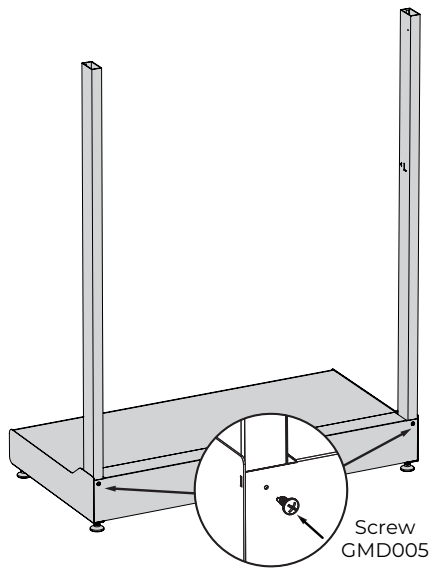


ASSEMBLING THE GONDOLA

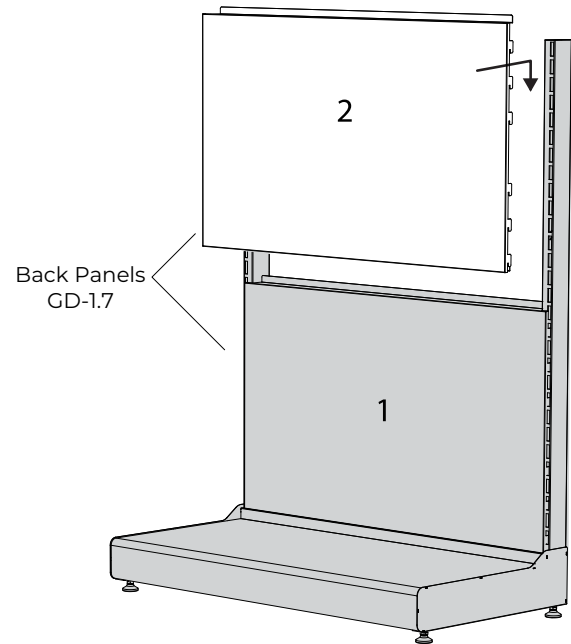
4. Adjust Feet until the Base is level (level not included).



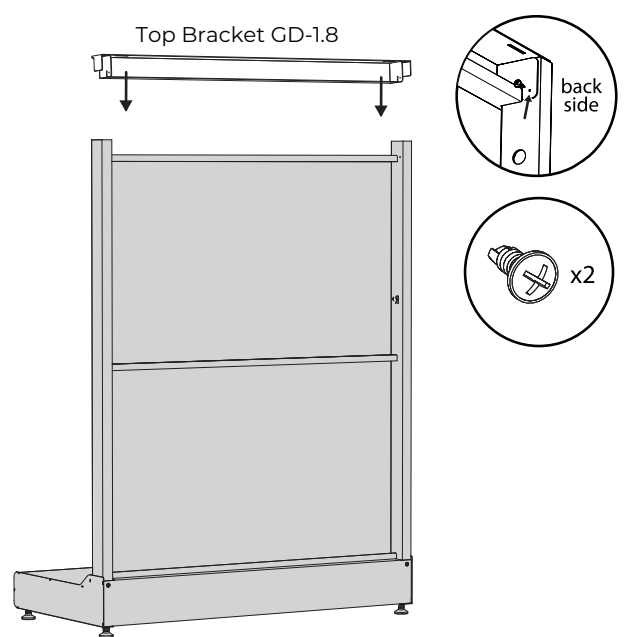
5. Install Screws, (2 places).



6. Install Back Panels. Install lower panel #1 first.



7. Install Top Bracket using 2 Screws.



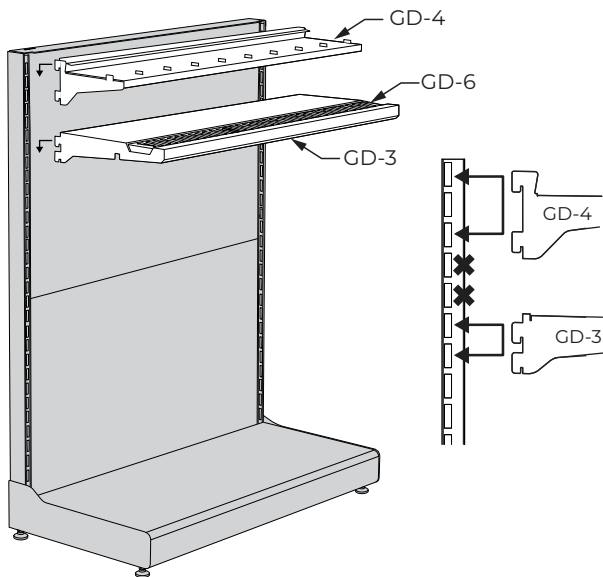
BULKshop Gondola Kit E

Instruction & Specification Sheet for GK2202 & GK2204

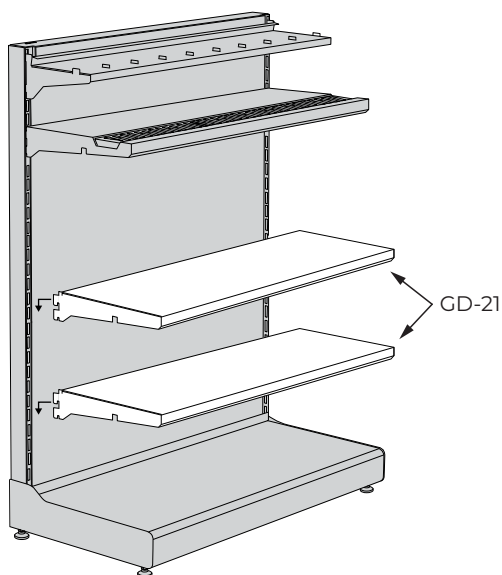
ADDING THE SHELVES

8. Attach the Bulk Container Support Shelf, Attach the Catch Tray Shelf and Catch Tray.

The diagram below shows correct slots for these shelves,

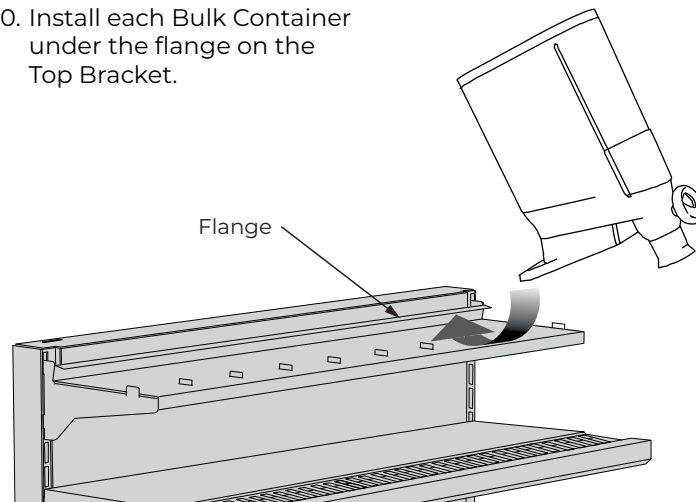


9. Attach the Flat Shelves as shown below.



ADDING THE BULK CONTAINERS

10. Install each Bulk Container under the flange on the Top Bracket.



SPECIFICATIONS

ASSEMBLED DIMENSIONS	INCHES	CM
LENGTH	50"	127 cm
WIDTH	26"	66 cm
HEIGHT	67"	170 cm

WEIGHT 425 lbs/192.78 kg

CARE AND CLEANING

- DO NOT put any part of the unit through dishwasher or dryer machine. ALWAYS use a non-abrasive sponge.
- DO NOT use any abrasive materials such as scrapers or metal-based brushes.
- DO NOT use harsh chemicals or abrasive cleaners.

Metal Care:

Wipe down with damp microfiber cloth and always wipe dry with a microfiber cloth. Store in a dry and well-ventilated location.

