

BULKshop Gondola Kit D

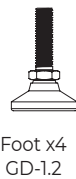
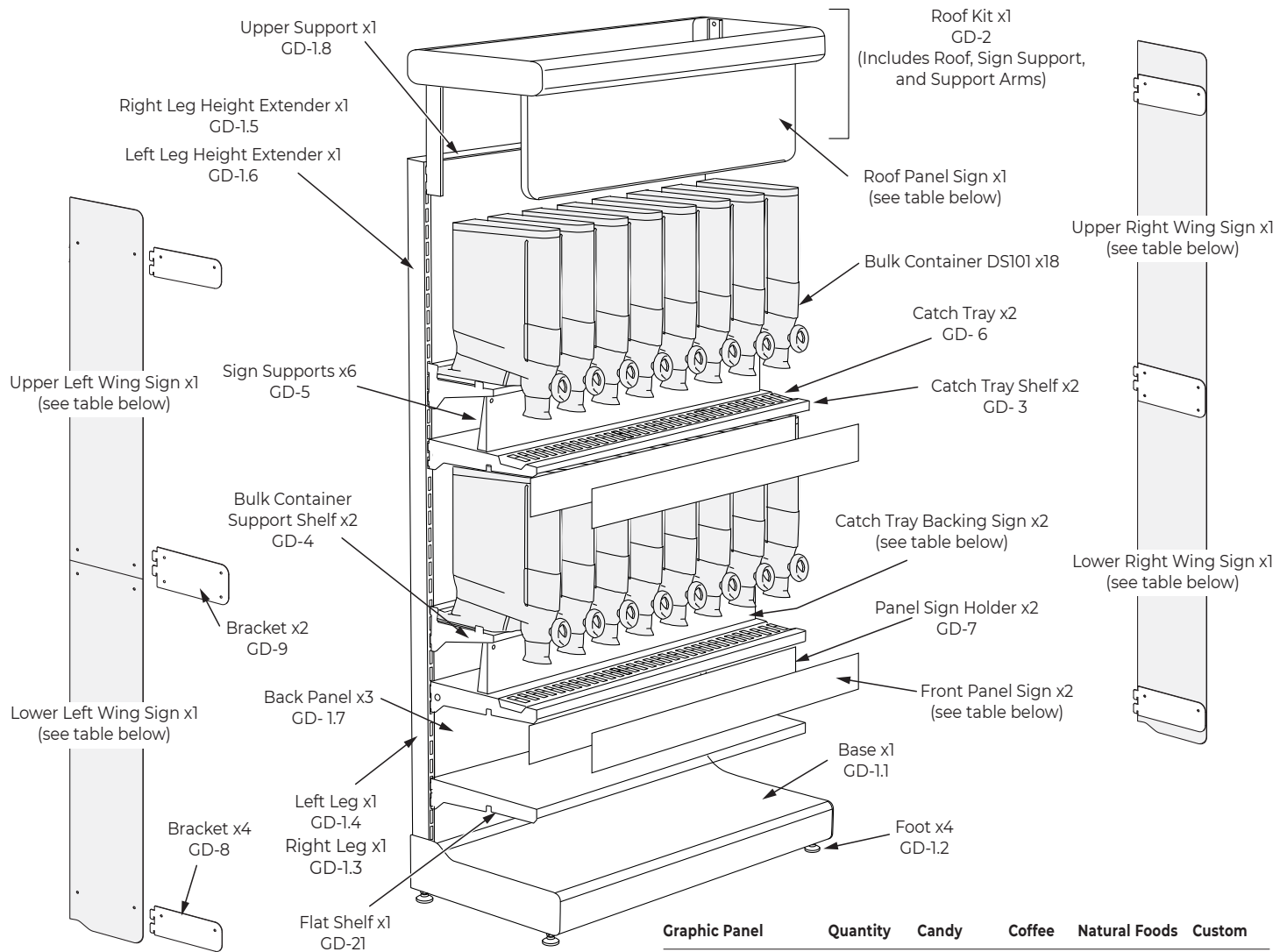
Instruction & Specification Sheet GK1111, GK1121, GK1131, GK1141

PARTS GK1111, GK1121, GK1131, GK1141

Note: The assembly of the Gondola must be performed by 2 adults. Tools required: 2 step ladders and Phillips screwdriver.

Be sure to read all the instructions before attempting to assemble the BULKshop Gondola Kit D.

- Carefully remove all parts from the carton and inspect each part. If a part appears to be damaged or missing, please contact Rosseto Customer Service.



Graphic Panel	Quantity	Candy	Coffee	Natural Foods	Custom
Front Panel Sign	2x	GDS122-F	GDS121-F	GDS123-F	GDS120-F
Catch Tray Backing Sign	2x	GDS222-B	GDS221-B	GDS223-B	GDS220-B
Upper Left Wing Sign	1x	GDS312-UL	GDS311-UL	GDS313-UL	GDS310-UL
Lower Left Wing Sign	1x	GDS312-LL	GDS311-LL	GDS313-LL	GDS310-LL
Upper Right Sign	1x	GDS312-UR	GDS311-UR	GDS313-UR	GDS310-UR
Lower Right Sign	1x	GDS312-LR	GDS311-LR	GDS313-LR	GDS310-LR
Roof Sign	1x	GDS422-R	GDS421-R	GDS423-R	GDS420-R

NEED ASSISTANCE?

Customer Service Support: **847-763-1215**

Address: **3714 Jarvis Avenue Skokie, IL 60076**

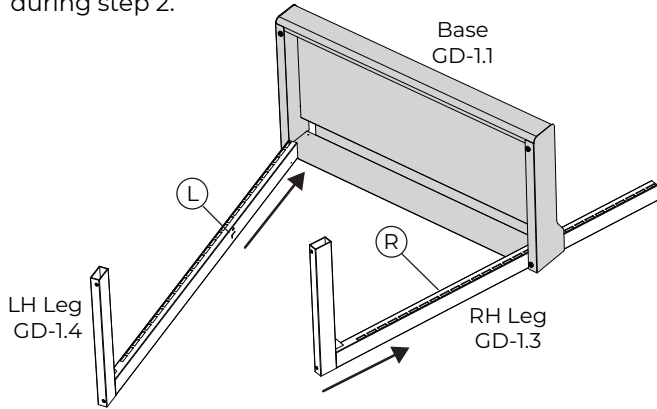
Website: **www.rosseto.com**



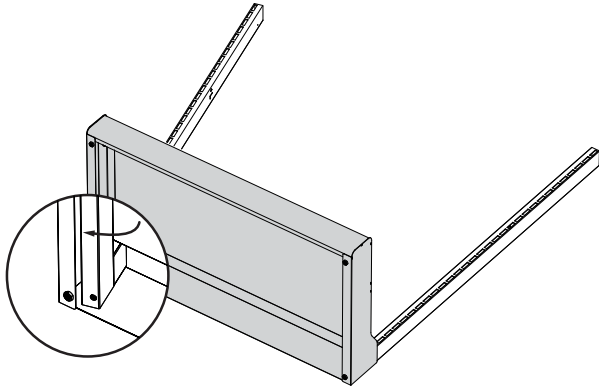
ASSEMBLING THE GONDOLA

Assemble the Gondola on a flat and level surface.

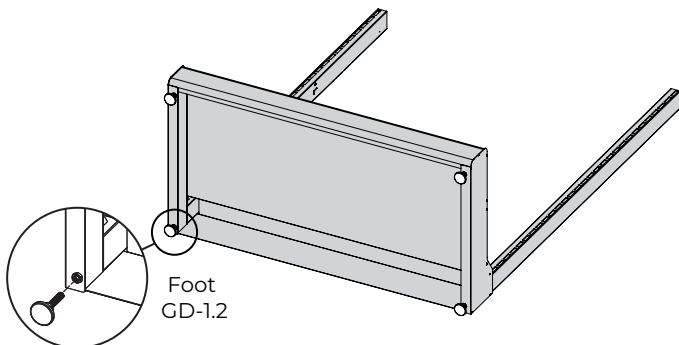
1. Insert each Leg into the hole on each side of the Base (GD-1.1) at a slight angle to avoid scratching the Leg during step 2.



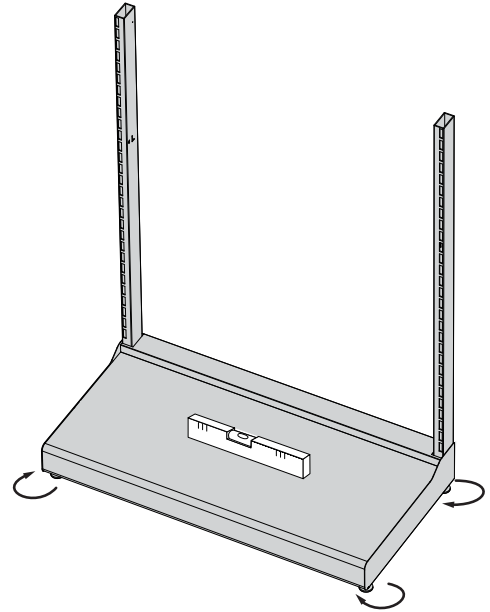
2. Slide each Leg into position. Straighten each Leg until holes on legs align with base as shown below.



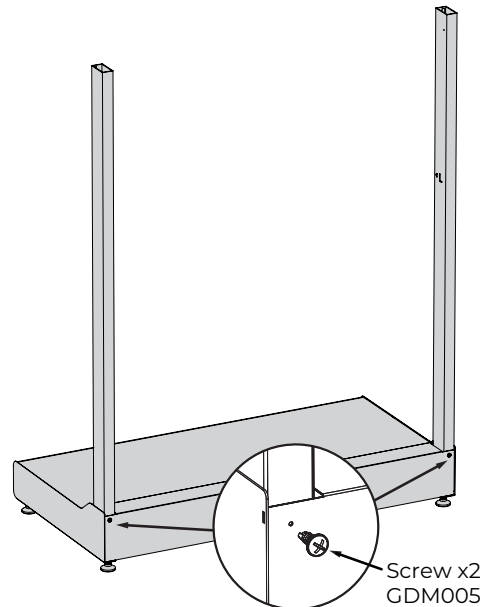
3. Screw in Foot (GD-1.2), (4 places).



4. Adjust Feet until the Base is level (a level is not included).



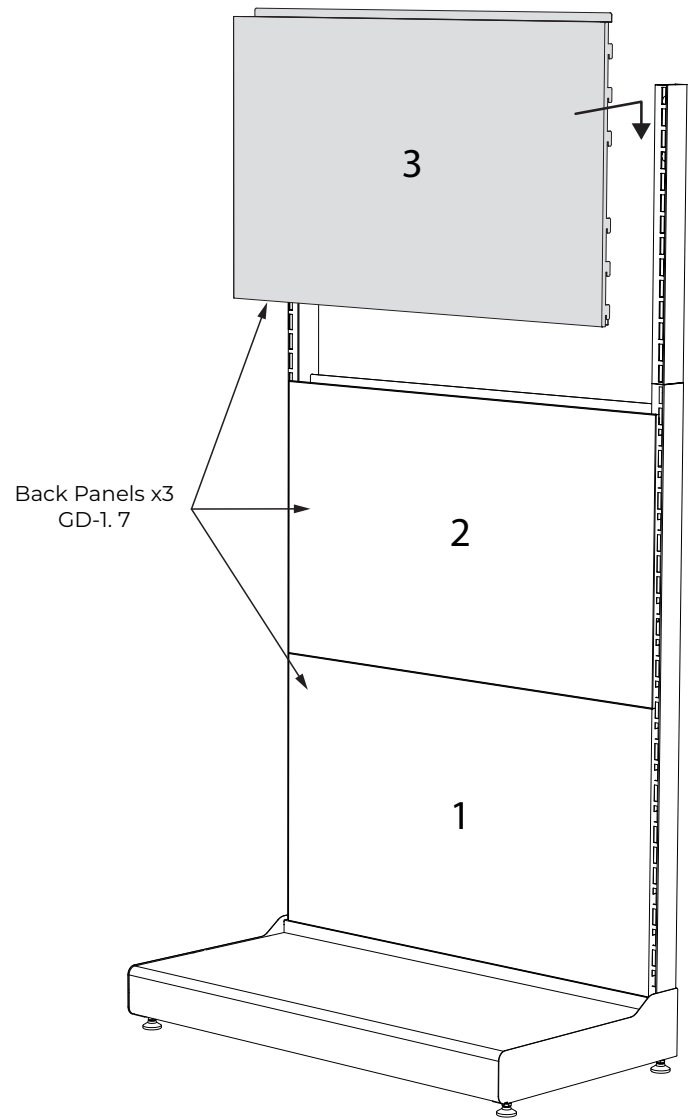
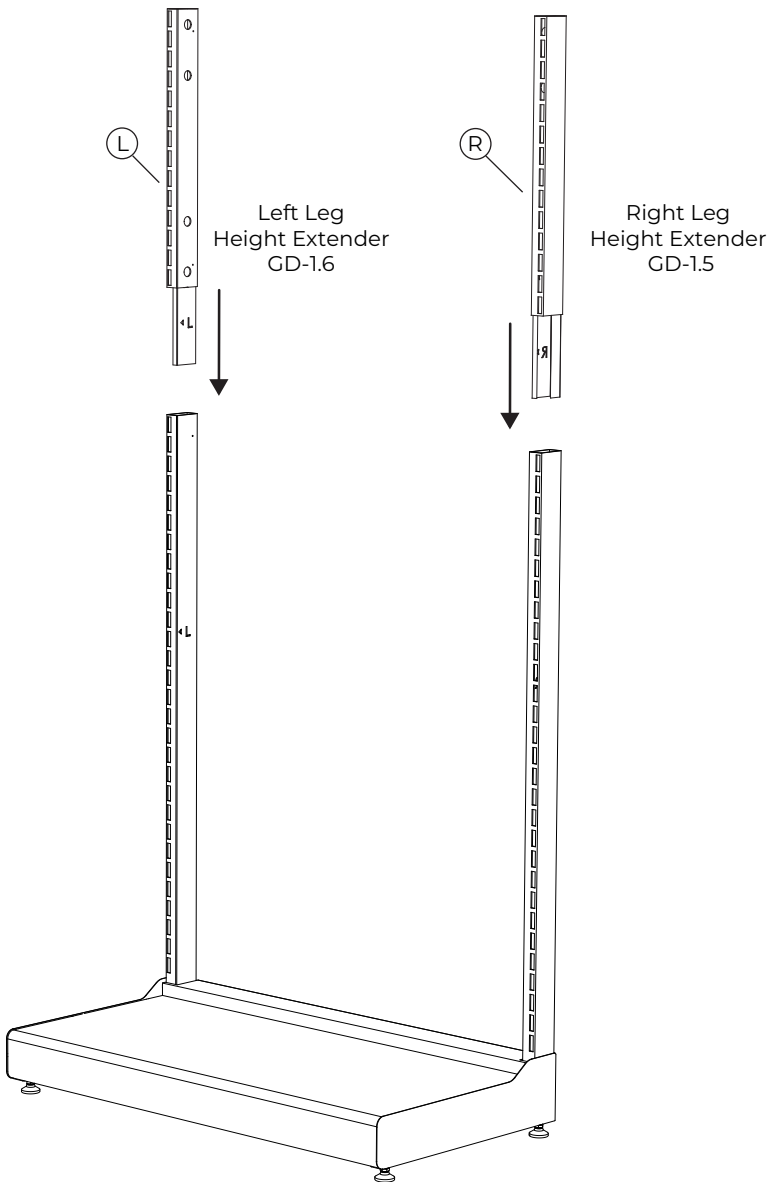
5. Install Screws, (2 places).



ASSEMBLING THE GONDOLA

6. Insert each Leg Extender into the Base Legs. The Leg Extenders are marked with 'R' and 'L'.

7. Install Back Panels (GD-1.7). Install lower panel #1 first.

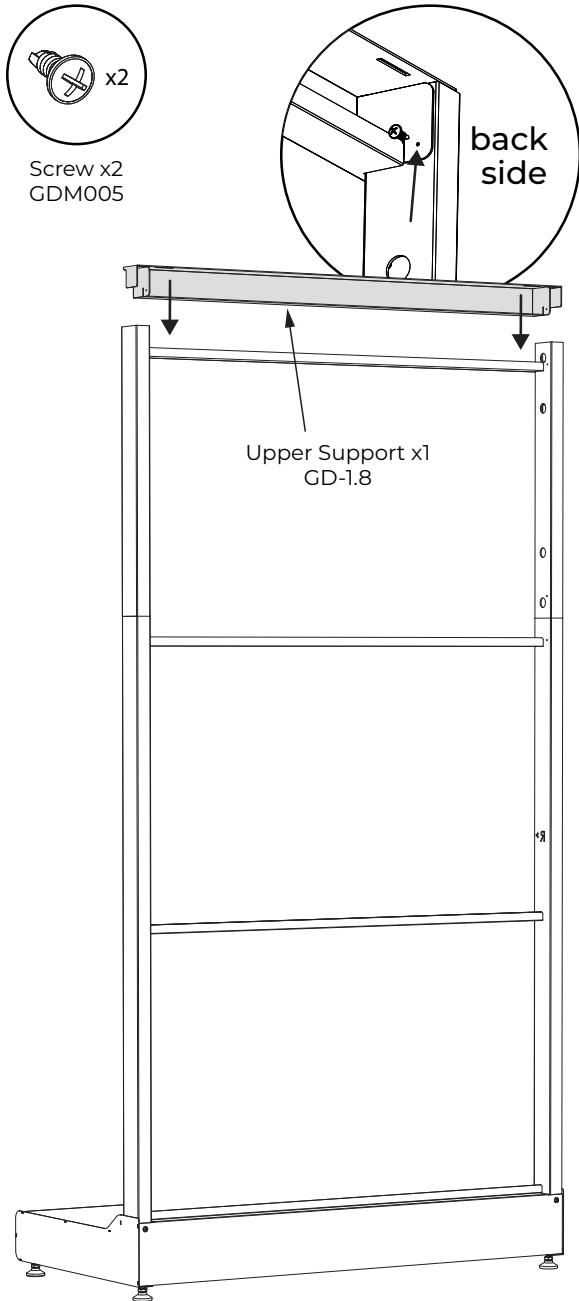


BULKshop Gondola Kit D

Instruction & Specification Sheet GK1111, GK1121, GK1131, GK1141

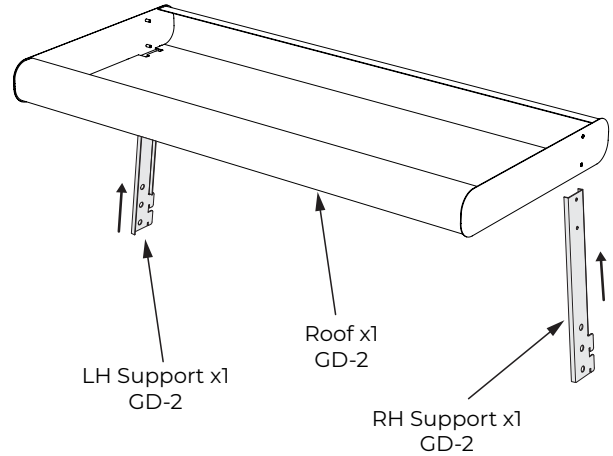
ASSEMBLING THE GONDOLA

8. Install Upper Support (GD-1.8) using 2 screws (GDM005).

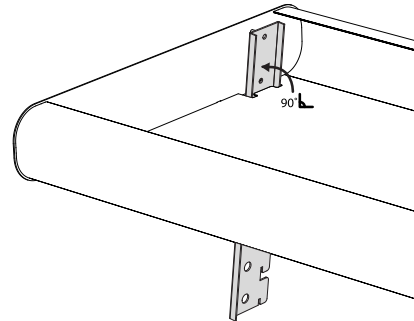


ASSEMBLING THE ROOF KIT

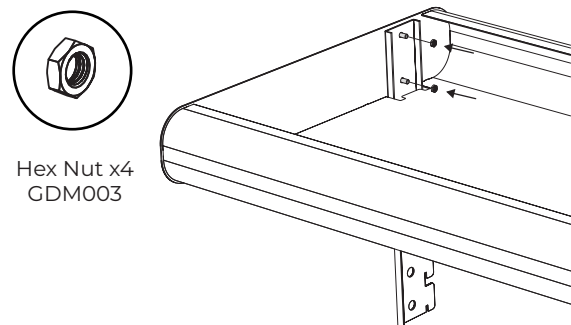
9. Insert the LH and RH Roof Supports into the slots in the Roof. The smooth side of each Support faces out.



Align the holes in the Roof Supports with the threaded studs on each side as shown below.



Tighten the hex nuts (GDM003) to secure the Roof Supports as shown below.

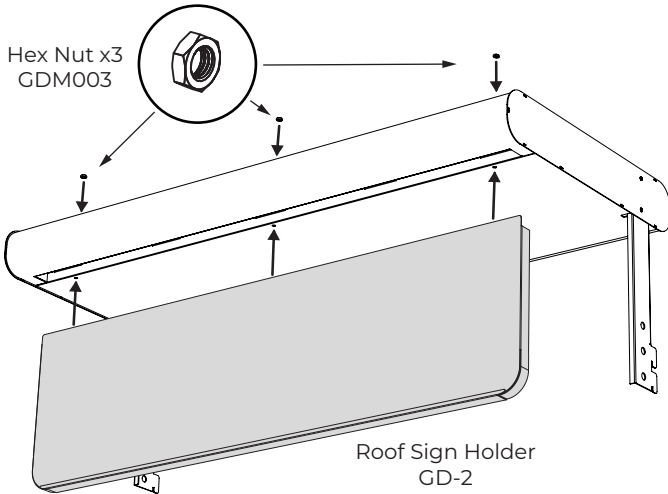


BULKshop Gondola Kit D

Instruction & Specification Sheet GK1111, GK1121, GK1131, GK1141

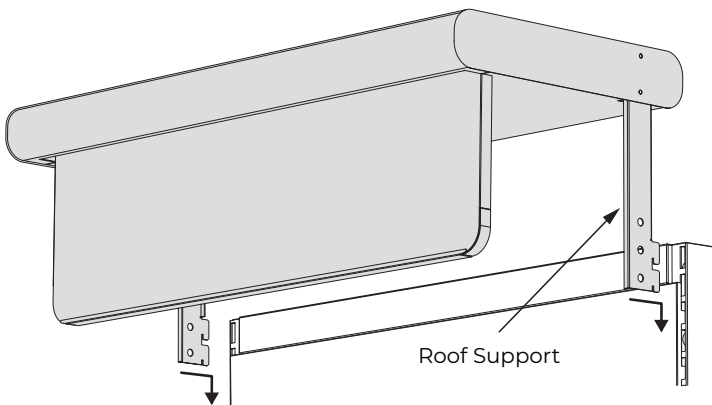
ADDING THE ROOF SIGN HOLDER

10. Insert the studs on the Roof Sign Holder into the holes in the Roof Top (GD-2). Secure the Roof Sign Holder using 3 hex nuts (GDM003).



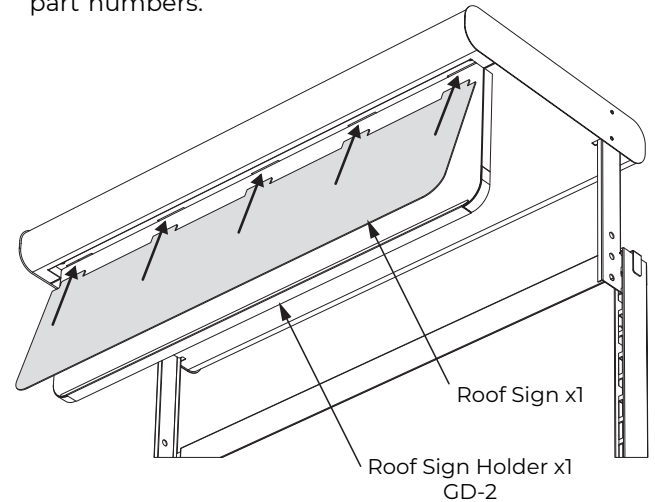
ADDING THE ROOF KIT TO THE GONDOLA

11. Insert the Roof Supports into the top slots in the gondola.



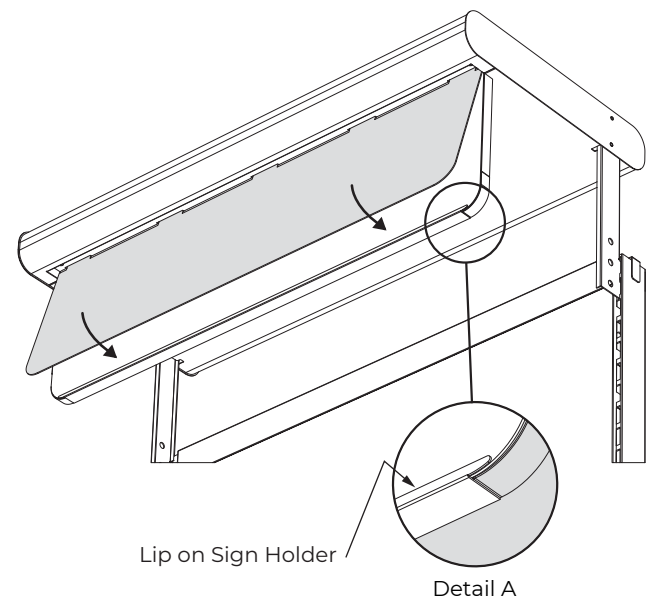
ATTACHING THE ROOFTOP SIGN

12. Insert the Roof Sign into the slots at the top of the Roof Sign Holder. See table on page 1 for Roof Sign part numbers.



13. The bottom edge of the Roof Sign is held in place by a lip that runs along the bottom of the Roof Sign Support.

With the tabs on the Roof Sign inserted into the Roof Sign Support, slide the Sign up as far as it will go. Next, slide the Sign down until the bottom edge of the Sign is tucked behind the lip.

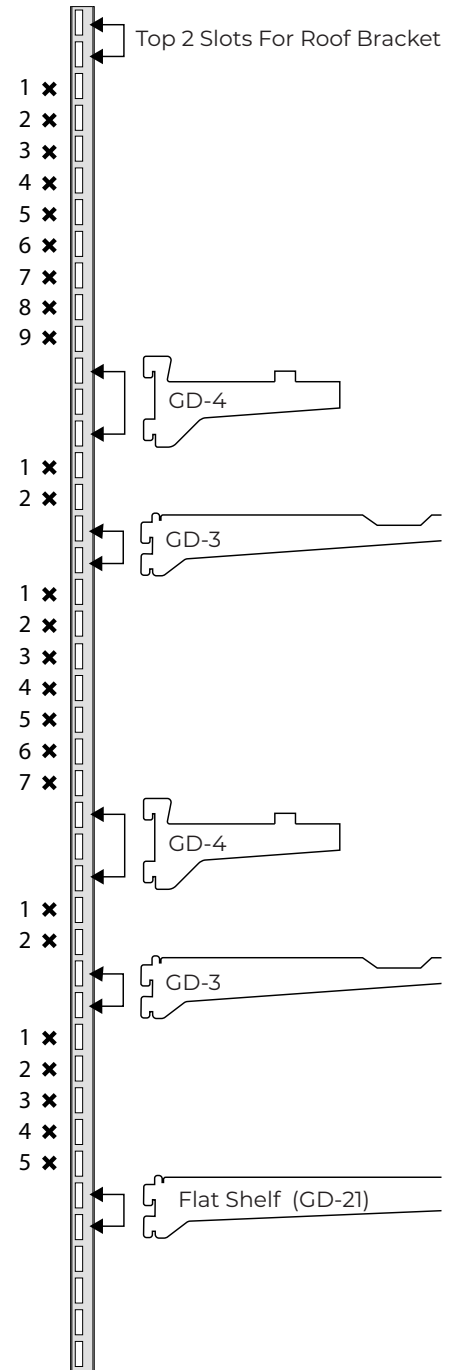
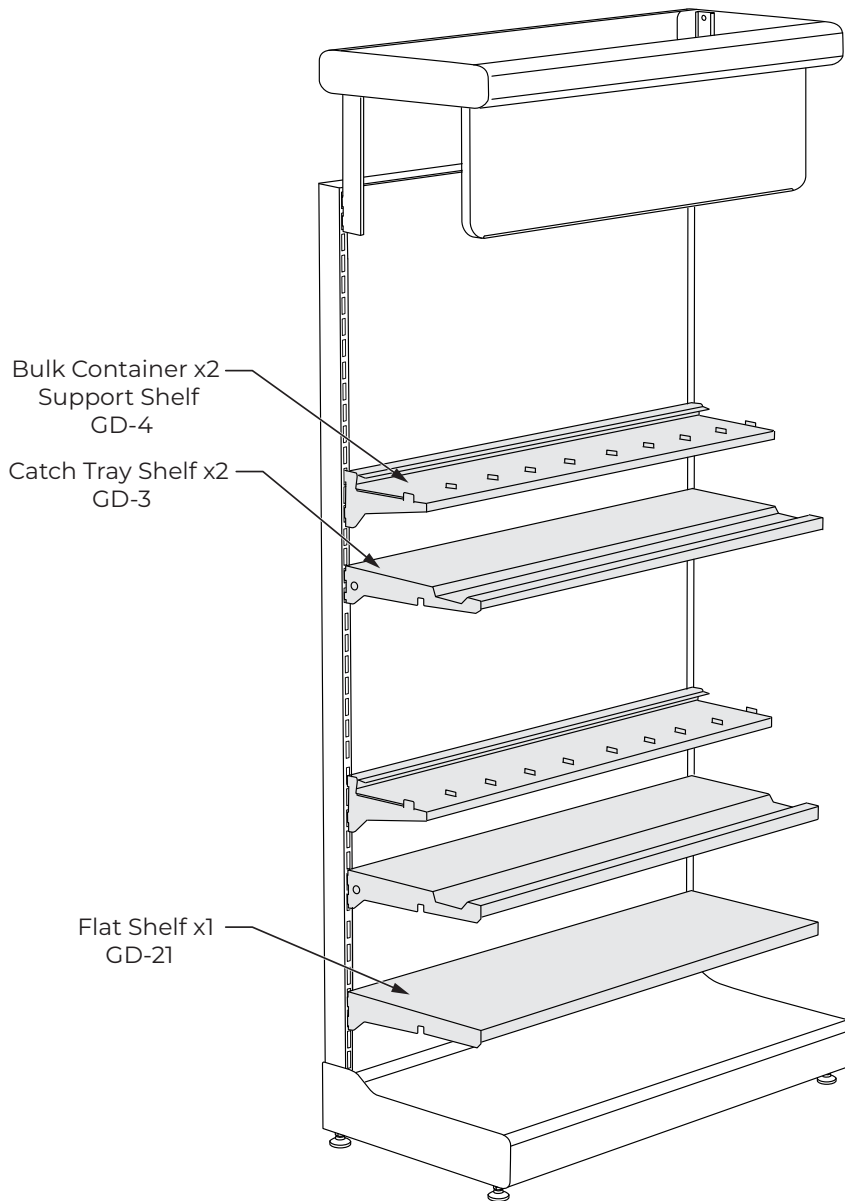


BULKshop Gondola Kit D

Instruction & Specification Sheet GK1111, GK1121, GK1131, GK1141

ADDING THE SHELVES

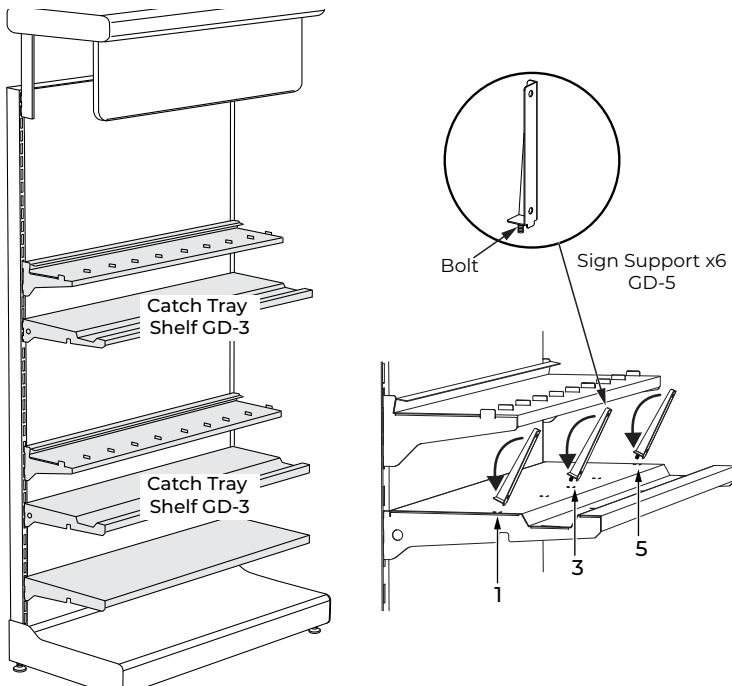
14. Install all the shelves next. Follow the spacing as shown in the diagram at right.



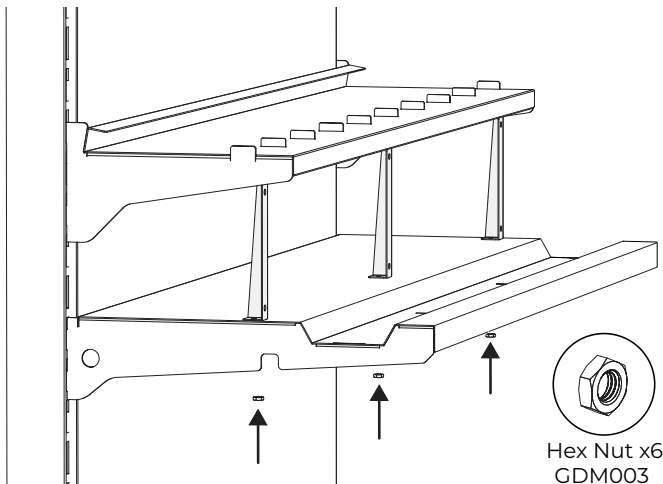
ADDING THE GRAPHIC SIGNS

Catch Tray Backing Sign Supports

15. Each Sign Support (GD-5) has a bolt welded on one end with a hex nut threaded onto the end. Remove the hex nut from the bolt. Insert the bolt end into the hole(s) in positions 1, 3, and 5 on each Catch Tray Shelf (GD-3).

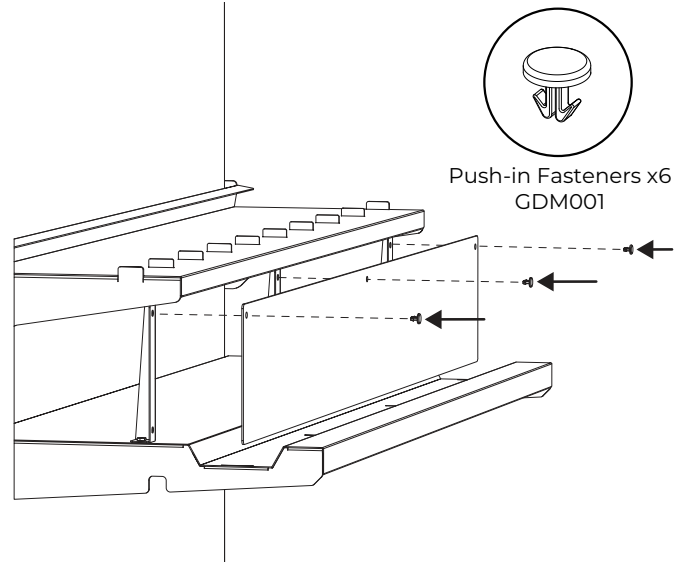


16. Secure each Sign Support (3 places) on each Catch Tray Shelf (GD-3) using hex nuts previously removed from the Sign Support bolts.

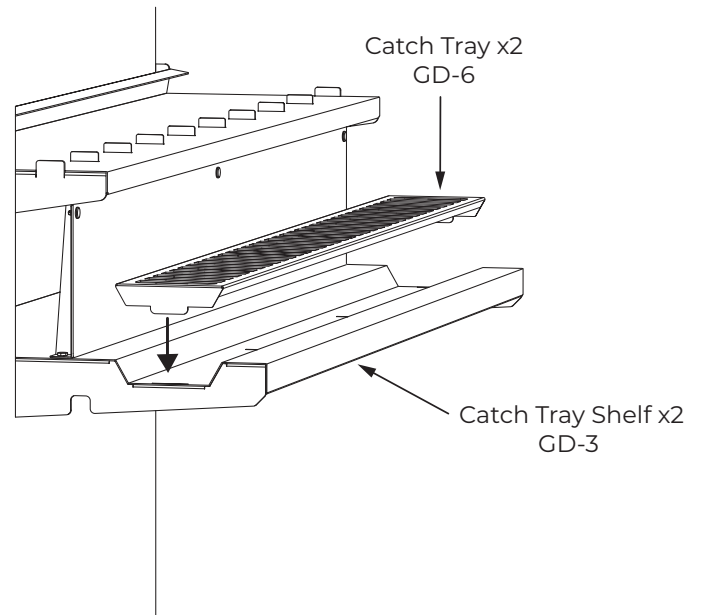


Catch Tray Backing Sign

17. Attach the Catch Tray Backing Signs using 3 Push-in Fasteners (GDM001) per sign.



18. Insert the Catch Tray (GD-6) into each Catch Tray Shelf (GD-3).



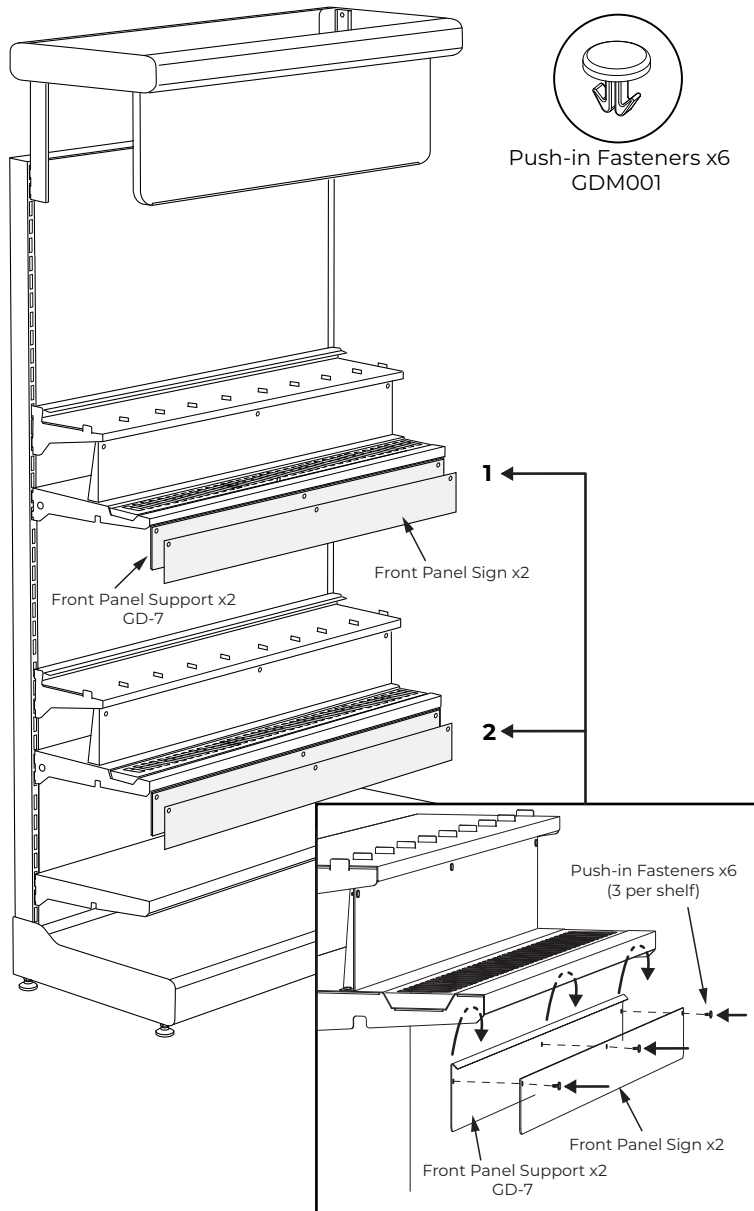
BULKshop Gondola Kit D

Instruction & Specification Sheet GK1111, GK1121, GK1131, GK1141

ADDING THE FRONT PANEL SIGNS

19. The Front Panel Supports (GD-7) hang below each Catch Tray Shelf. Attach a Front Panel Support (GD-7) to each Catch Tray Shelf as shown in the detail below.

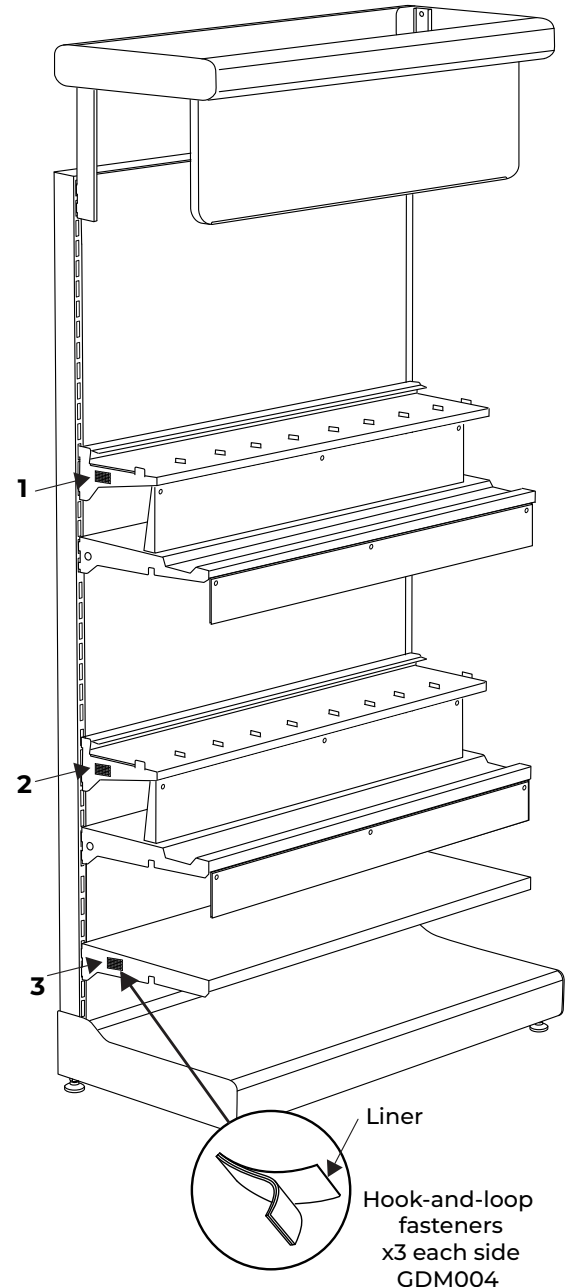
Attach each Front Panel Sign using 3 Push-in Fasteners per panel (GDM001).



ATTACHING THE HOOK-AND-LOOP FASTENERS

20. **Note: Do not separate the hook-and-loop fastener pieces.**

Remove liner on one side of each hook-and-loop fastener. Stick on both sides of each shelf in positions as shown. Press firmly.



NEED ASSISTANCE?

Customer Service Support: **847-763-1215**

Address: **3714 Jarvis Avenue Skokie, IL 60076**

Website: **www.rosseto.com**



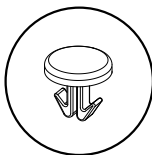
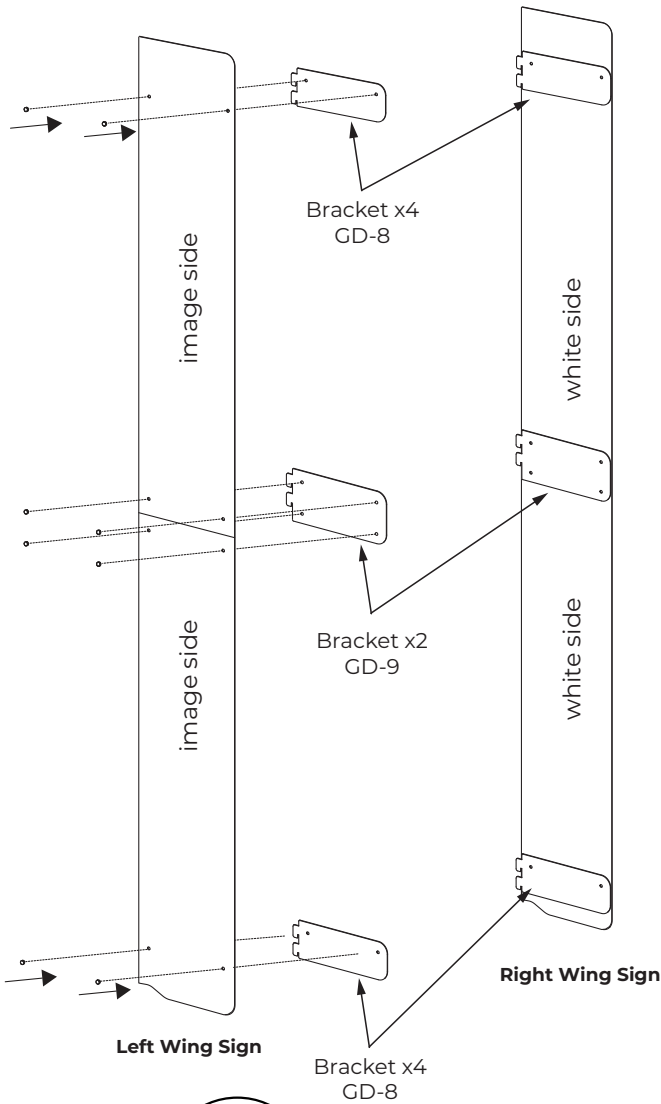
BULKshop Gondola Kit D

Instruction & Specification Sheet GK1111, GK1121, GK1131, GK1141

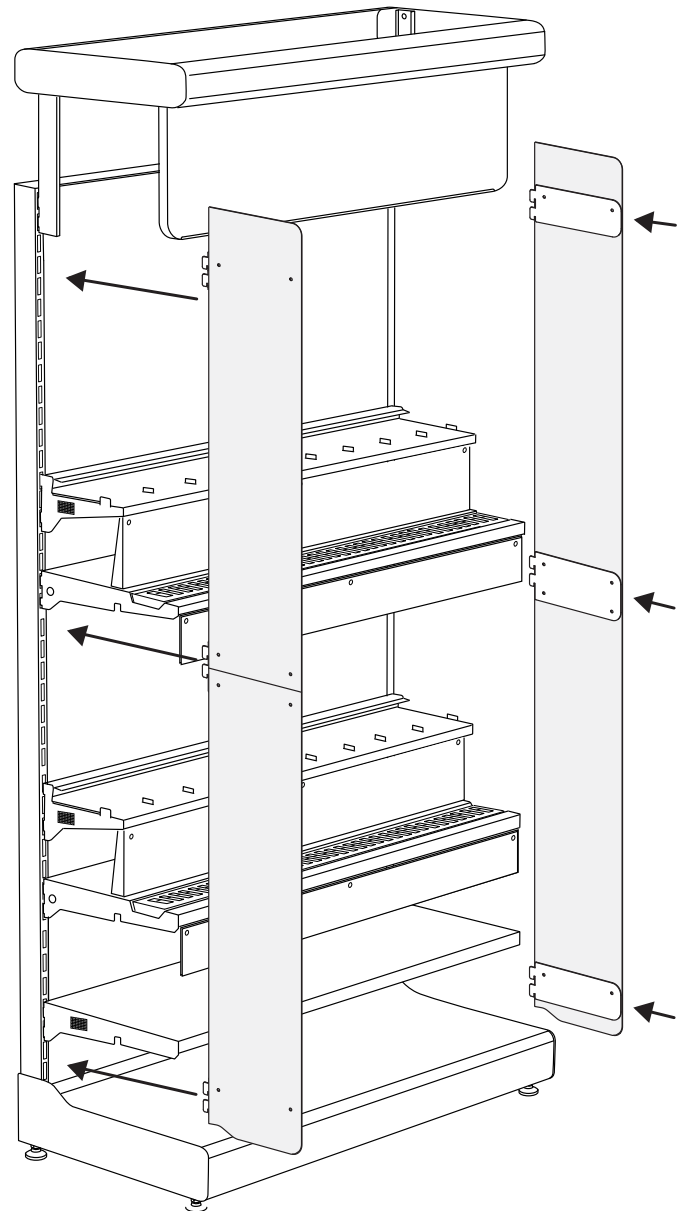
PRINTED WING GRAPHIC SIGNS

21. Attach Brackets (GD-8 & GD-9) to both Wing Signs using Push-in Fasteners (GDM001) as shown below.

22. Insert both Wing Signs into the slots as shown below.



Push-in Fasteners x16
GDM001

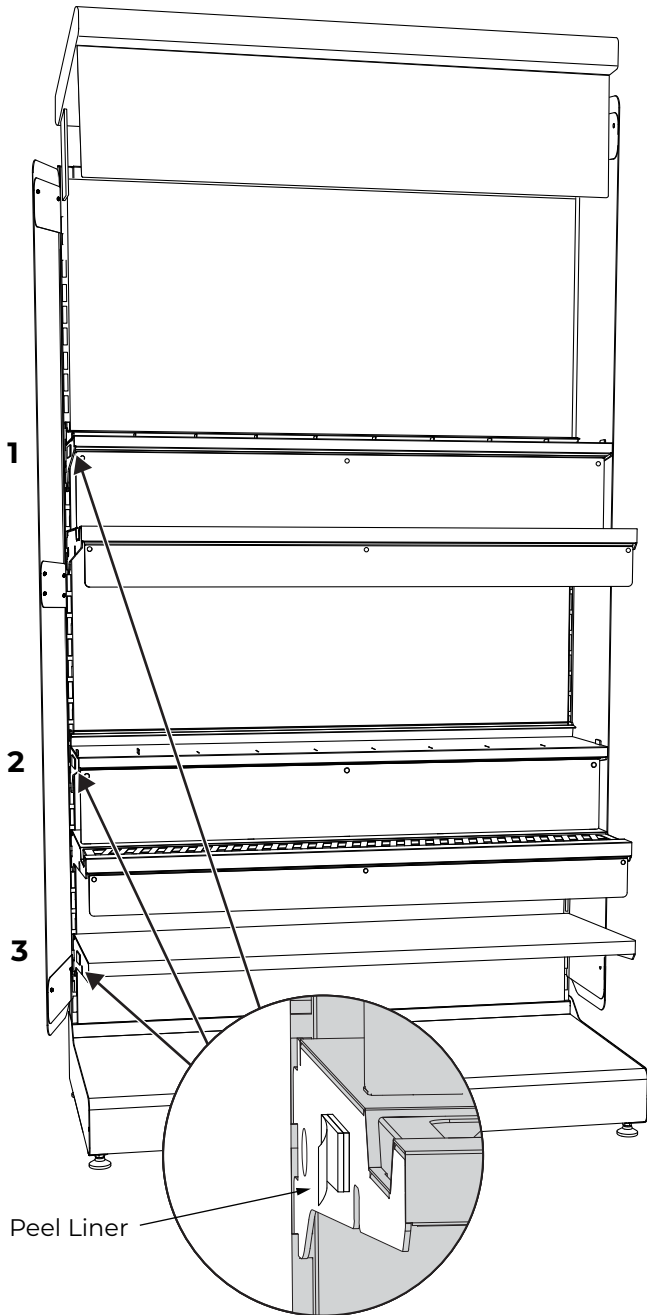


BULKshop Gondola Kit D

Instruction & Specification Sheet GK1111, GK1121, GK1131, GK1141

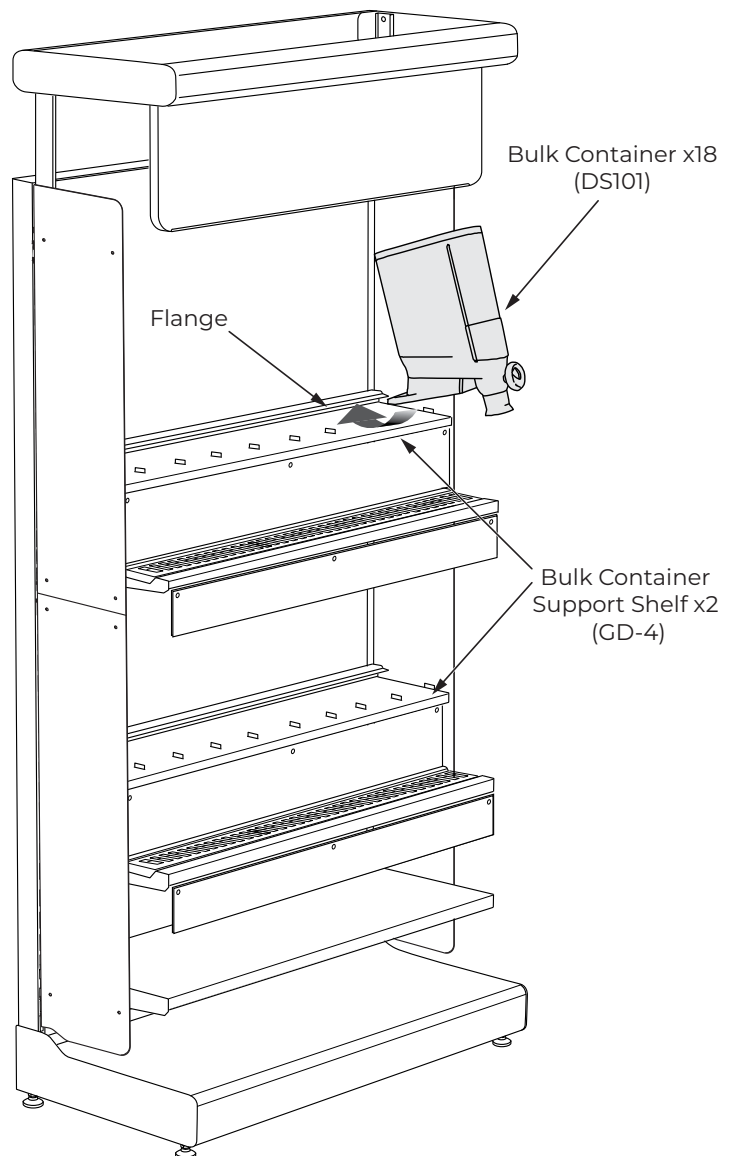
SECURING THE WING PANELS

23. Swing out the Wing Signs on both sides of the gondola.
Remove the remaining liners on all Hook-and-Loop fasteners. Press the Wing Signs firmly in place to secure.



ADDING THE BULK CONTAINERS

24. Install each Bulk Container (DS101) under the flange on both Bulk Container Shelves.



BULKshop Gondola Kit D

Instruction & Specification Sheet GK1111, GK1121, GK1131, GK1141

CARE AND CLEANING

- DO NOT put any part of the unit through dishwasher or dryer machine. ALWAYS use a non-abrasive sponge.
- DO NOT use any abrasive materials such as scrapers or metal-based brushes.
- DO NOT use harsh chemicals or abrasive cleaners.

Metal Care:

Wipe down with damp microfiber cloth and always wipe dry with a microfiber cloth. Store in a dry and well-ventilated location.

SPECIFICATIONS

ASSEMBLED DIMENSIONS	INCHES	CM
LENGTH	50"	127 cm
WIDTH	26"	66 cm
HEIGHT	108"	274 cm

WEIGHT 485 lbs/220 kg

