

# BULKshop Gondola Kit A

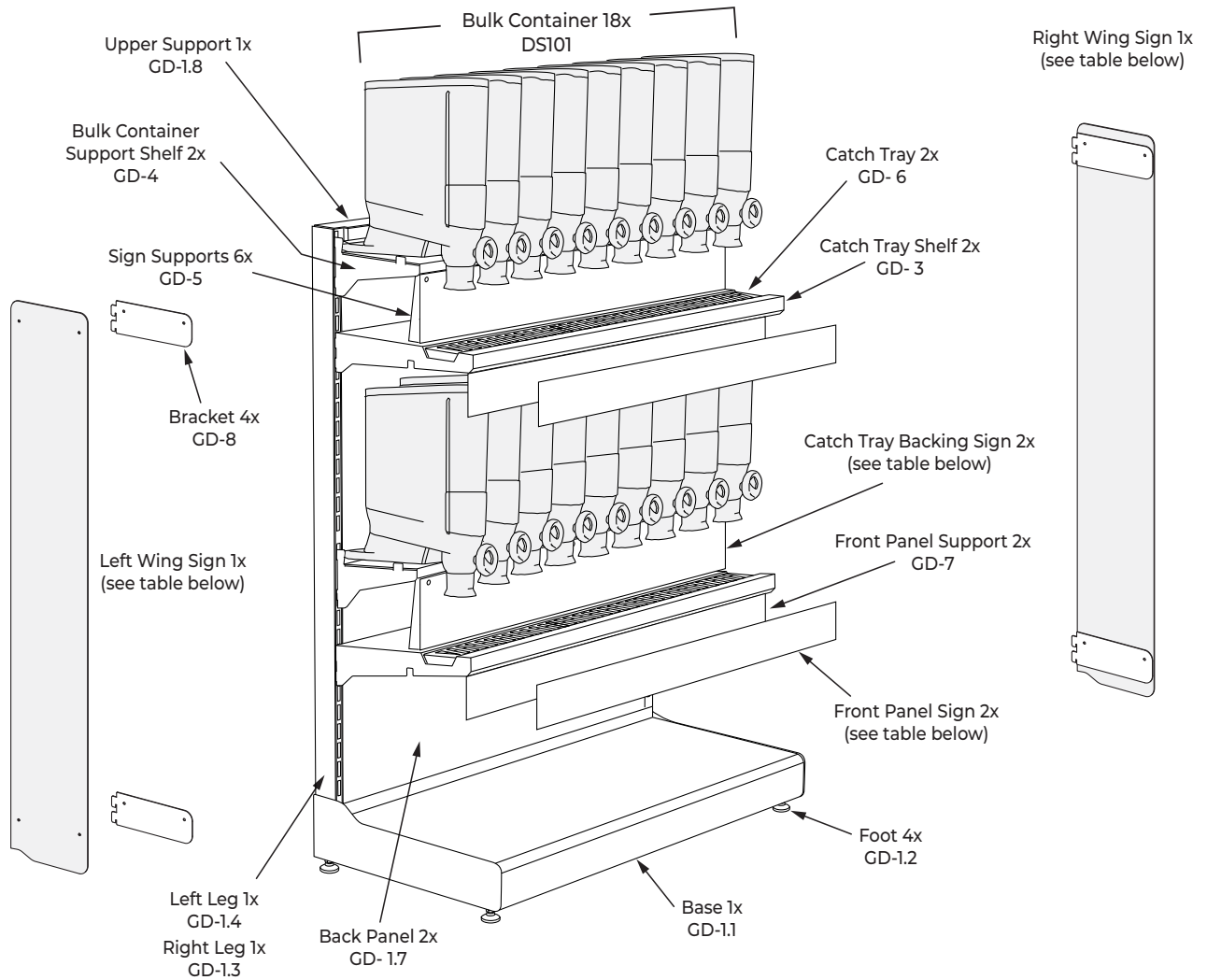
Instruction & Specification Sheet GK2021, GK2031, GK2011

## BEFORE YOU BEGIN

Be sure to read all the instructions before attempting to assemble the BULKshop Gondola Kit A.

- Carefully remove all parts from the carton and inspect each part. If a part appears to be damaged or missing, please contact Rosseto Customer Service.

## PARTS GK2021, GK2031, GK2011



Hook and Loop 6x  
GDM004



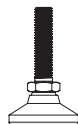
Screw 4x  
GDM005



Push-in  
Fastener 20x  
GDM001



Hex Nut 6x  
GDM003



Foot 4x  
GD-1.2

Graphic Panel	Quantity	Candy	Coffee	Natural Foods
Front Panel Sign	2x	GDS122-F	GDS121-F	GDS123-F
Catch Tray Backing Sign	2x	GDS222-B	GDS221-B	GDS223-B
Right Wing Sign	1x	GDS322-R	GDS321-R	GDS323-R
Left Wing Sign	1x	GDS322-L	GDS321-L	GDS323-L

**NEED ASSISTANCE?**

Customer Service Support: **847-763-1215**

Address: **3714 Jarvis Avenue Skokie, IL 60076**

Website: **www.rosseto.com**



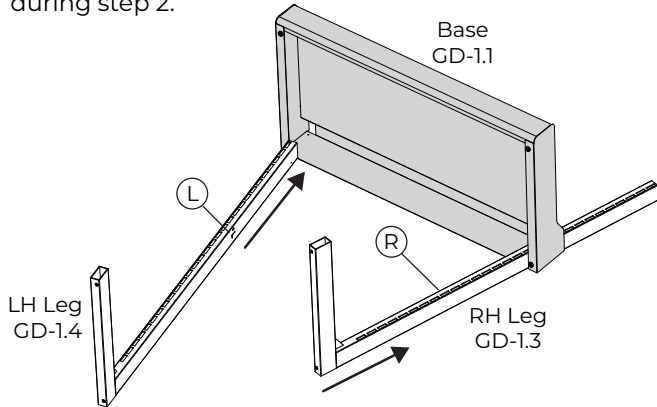
# BULKshop Gondola Kit A

Instruction & Specification Sheet GK2021, GK2031, GK2011

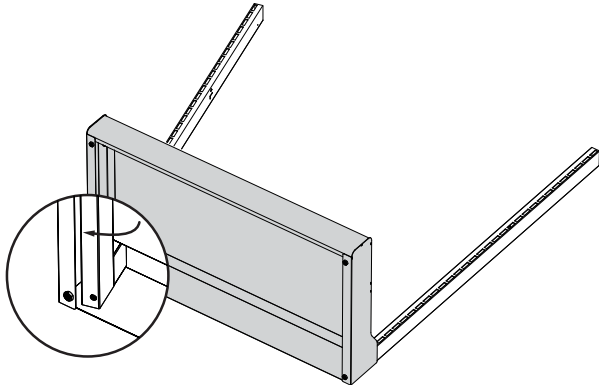
## ASSEMBLING THE GONDOLA

Assemble the Gondola on a flat and level surface.

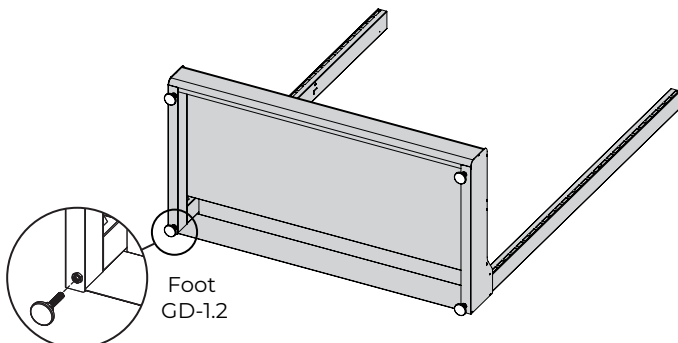
1. Insert each Leg into the hole on each side of the Base (GD-1.1) at a slight angle to avoid scratching the Leg during step 2.



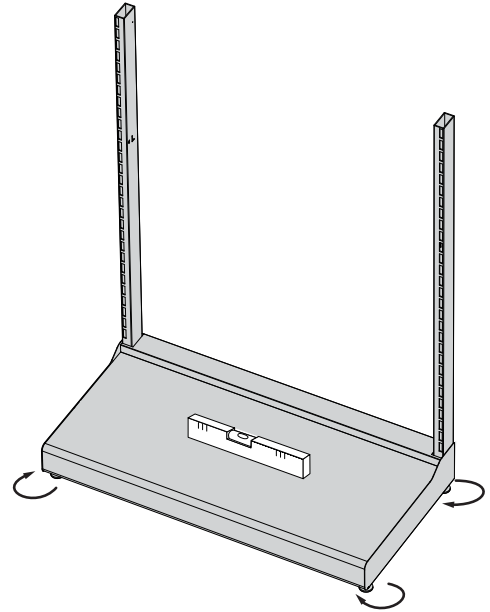
2. Slide each Leg into position. Straighten each Leg until holes on legs align with base as shown below.



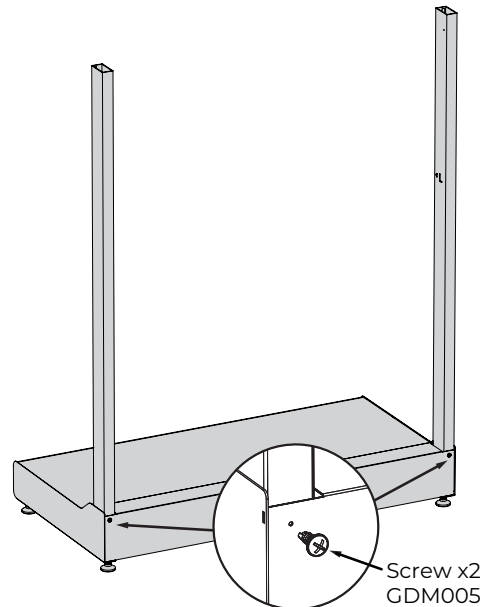
3. Screw in Foot (GD-1.2), (4 places).



4. Adjust Feet until the Base is level (a level is not included).

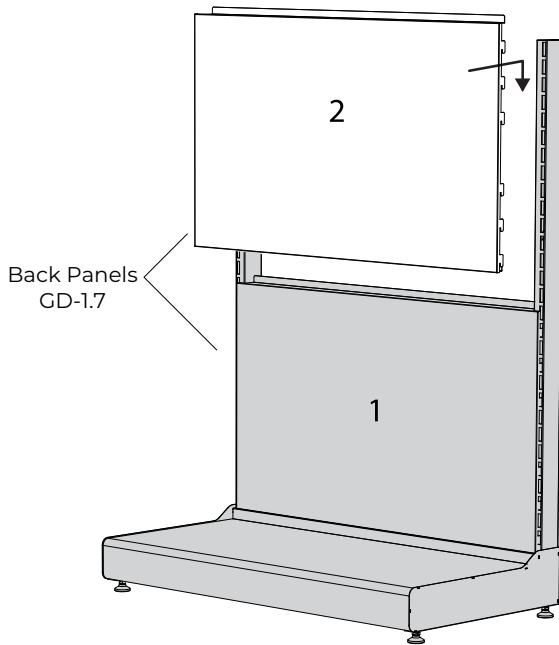


5. Install Screws, (2 places).

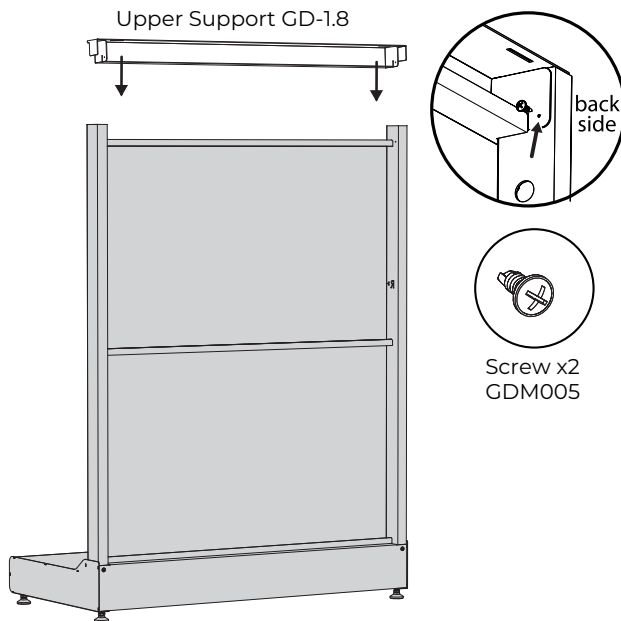


## ASSEMBLING THE GONDOLA

6. Install Back Panels. Install lower panel #1 first.

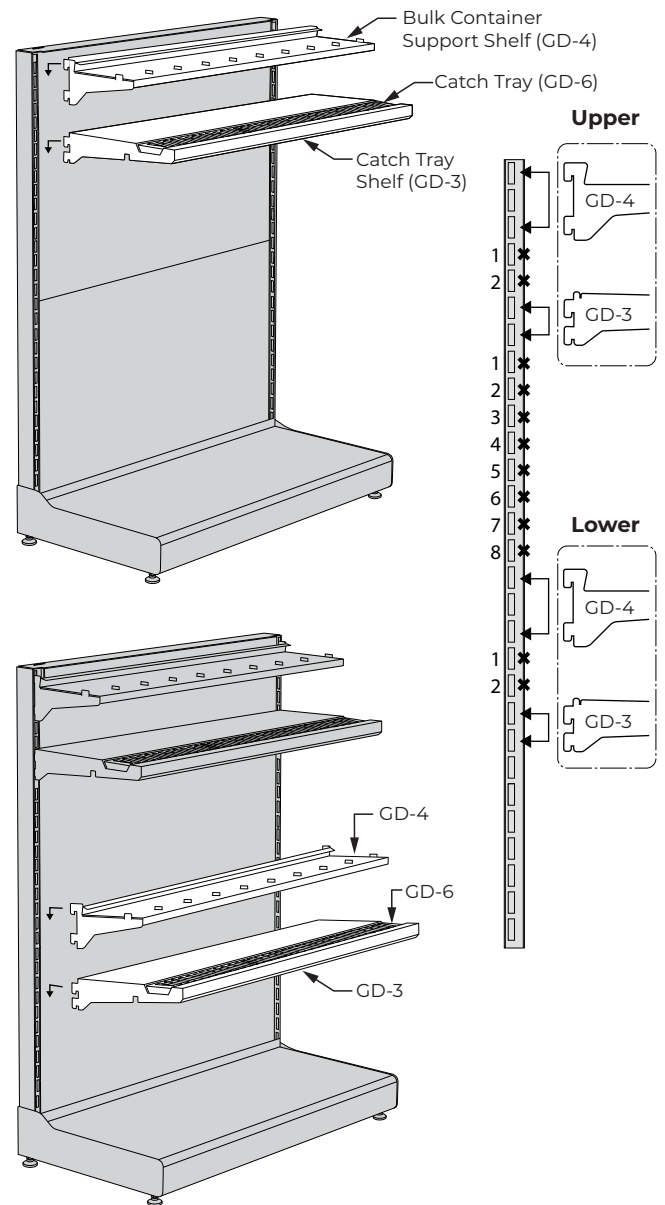


7. Install Upper Support using 2 Screws.



## ADDING THE SHELVES

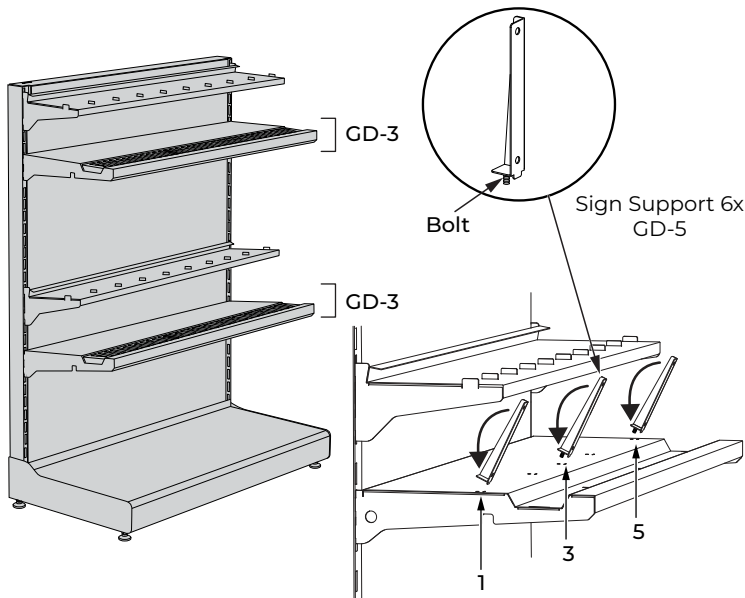
8. Attach the upper and lower Bulk Container Support Shelves (GD-4) in correct slots as shown in the diagram.  
 9. Attach the upper and lower Catch Tray Shelves (GD-3) in correct slots as shown in the diagram.  
 10. Insert both Catch Trays (GD-6) into the Catch Tray Shelves.



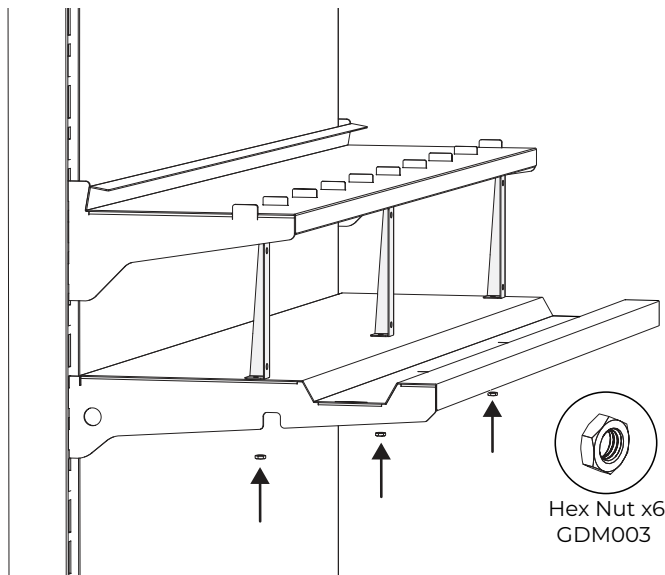
## ADDING THE GRAPHIC SIGNS

### Catch Tray Backing Sign Supports

11. Each Sign Support (GD-5) has a bolt welded on one end with a hex nut threaded onto the end. Remove the hex nut from the bolt. Insert the bolt end into the hole(s) in positions 1, 3, and 5. on each Catch Tray Shelf (GD-3).

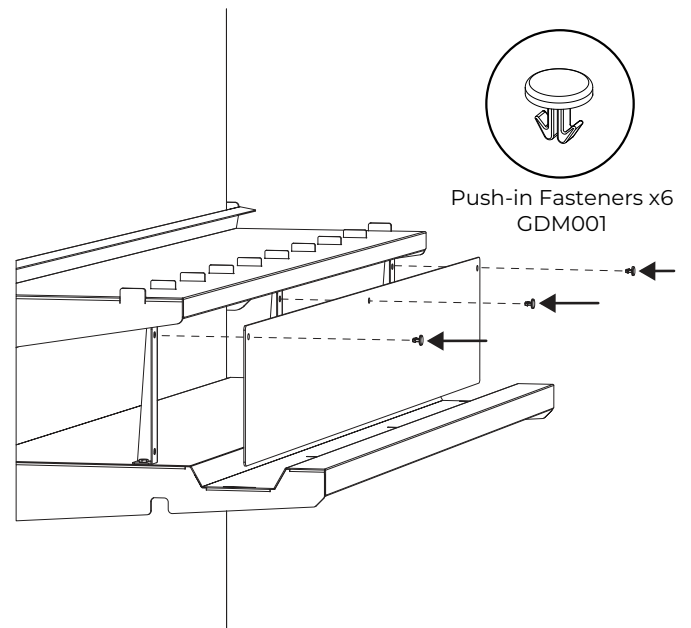


12. Secure each Sign Support (3 places) on each Catch Tray Shelf (GD-3) using hex nuts previously removed from the Sign Support bolts.

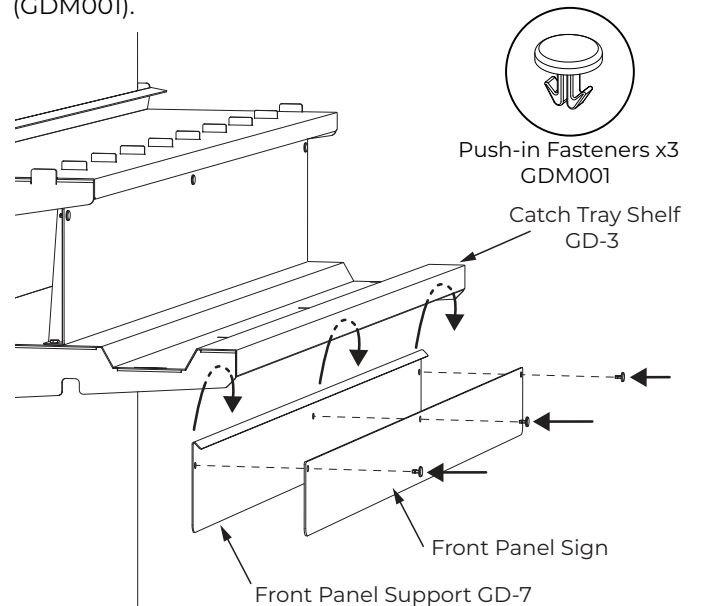


### Catch Tray Backing Sign

13. Attach the Catch Tray Backing Signs using the Push-in Fasteners (GDM001).



14. Attach the Front Panel Support (GD-7) as shown below. Attach the Front Panel Signs using the Push-in Fasteners (GDM001).



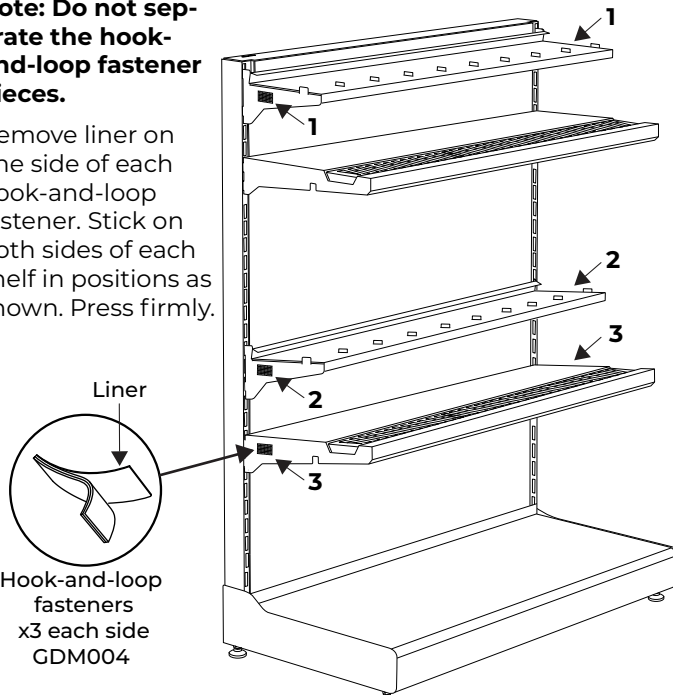
# BULKshop Gondola Kit A

Instruction & Specification Sheet GK2021, GK2031, GK2011

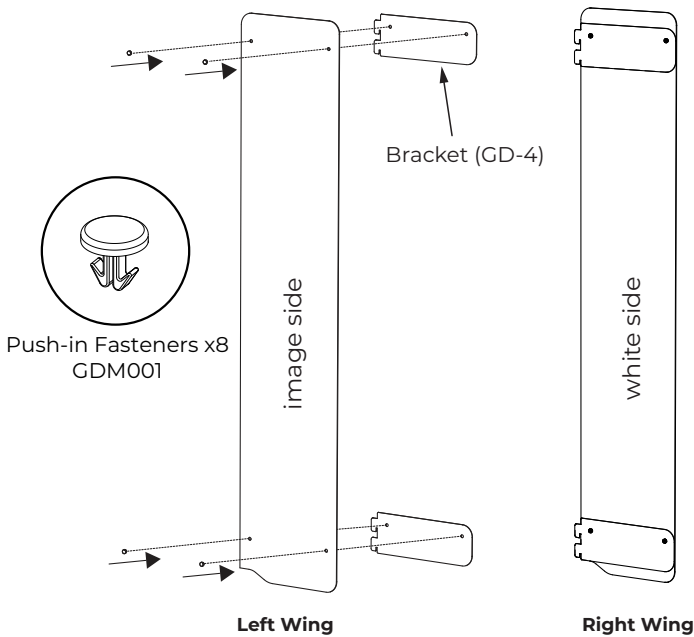
## PRINTED WING GRAPHIC SIGNS

15. **Note: Do not separate the hook-and-loop fastener pieces.**

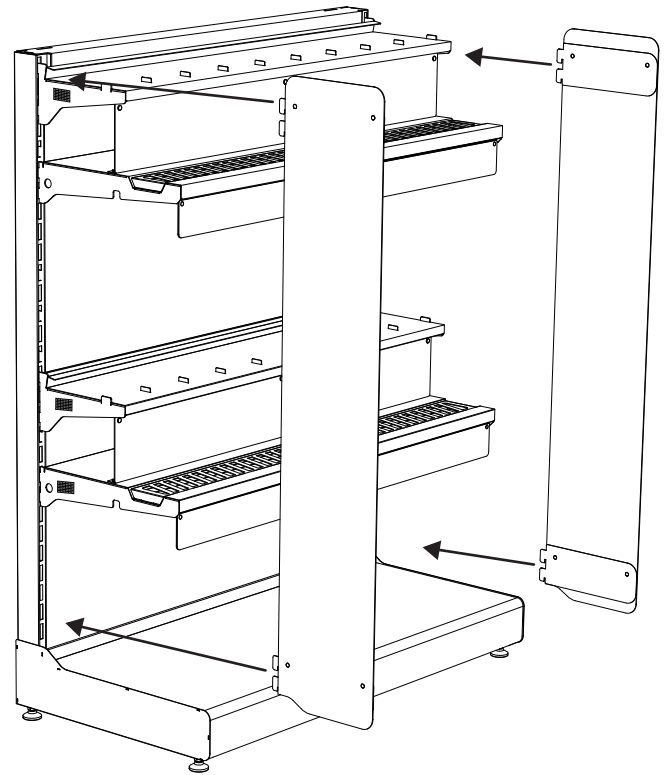
Remove liner on one side of each hook-and-loop fastener. Stick on both sides of each shelf in positions as shown. Press firmly.



16. Attach Brackets (GD-4) to both Wing Signs using Push-in Fasteners (GDM001) as shown below.



17. Insert both Wing Signs into the slots as shown below.

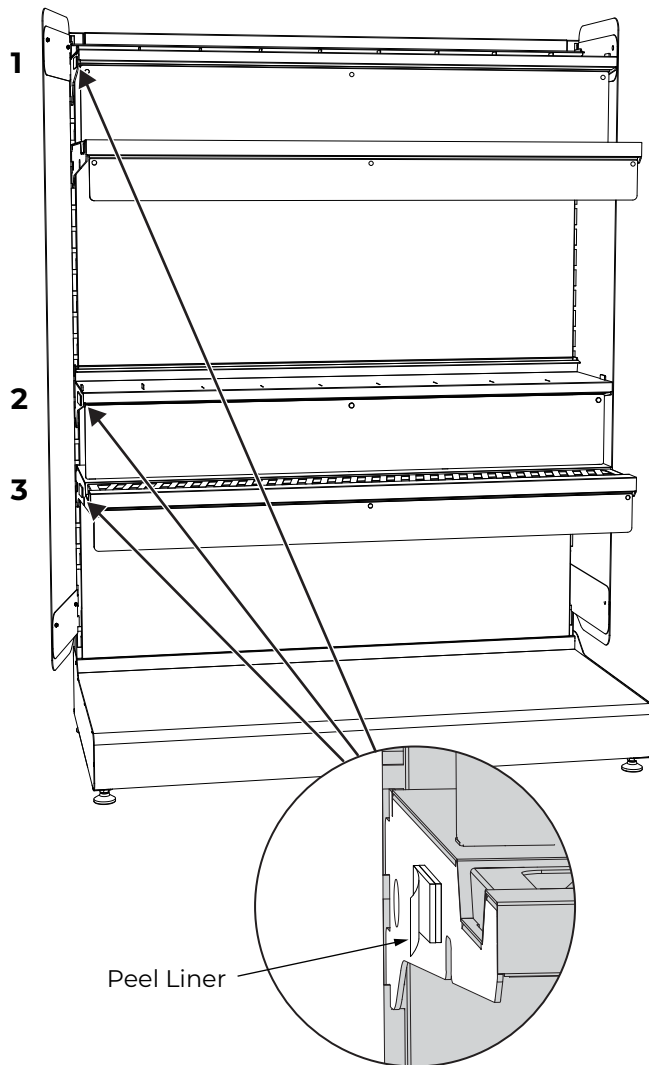


# BULKshop Gondola Kit A

Instruction & Specification Sheet GK2021, GK2031, GK2011

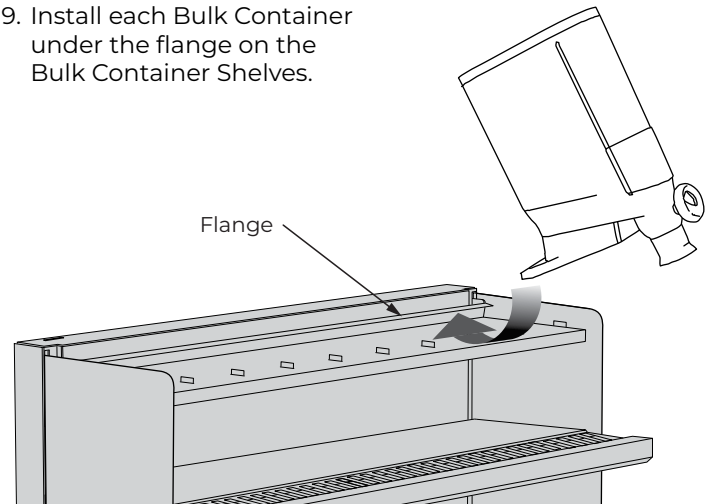
## SECURING THE WING PANELS

18. Swing out the Wing Signs on both sides of the gondola.  
Remove the remaining liners on all Hook-and-Loop fasteners.  
Press the Wing Signs firmly in place to secure.



## ADDING THE BULK CONTAINERS

19. Install each Bulk Container under the flange on the Bulk Container Shelves.



## SPECIFICATIONS

ASSEMBLED DIMENSIONS	INCHES	CM
LENGTH	50"	127 cm
WIDTH	26"	66 cm
HEIGHT	67"	170 cm

WEIGHT 425 lbs/192.78 kg

## CARE AND CLEANING

- DO NOT put any part of the unit through dishwasher or dryer machine. ALWAYS use a non-abrasive sponge.
- DO NOT use any abrasive materials such as scrapers or metal-based brushes.
- DO NOT use harsh chemicals or abrasive cleaners.

### Metal Care:

Wipe down with damp microfiber cloth and always wipe dry with a microfiber cloth. Store in a dry and well-ventilated location.

