



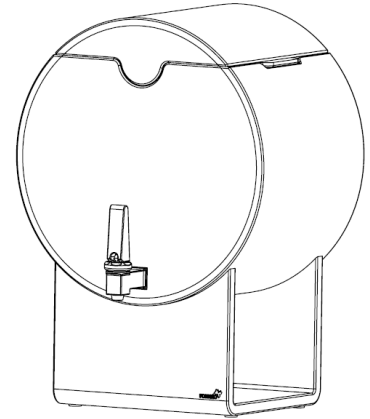
Lucid Barrel Beverage Dispenser

Models: **LD174**-3 Gal. White Dispenser **LD181**-3 Gal. Back Dispenser **LD182**-5 Gal. White Dispenser **LD183**-5 Gal. Black Dispenser

Before first use, make sure to hand wash all components of the beverage dispenser in warm soapy water. This dispenser is not dishwasher safe! For best results, use filtered or bottled water in dispenser.

SETTING UP YOUR PRODUCT

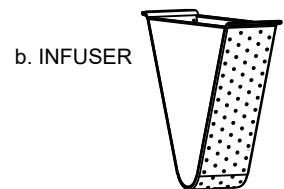
1. Carefully remove all parts from packaging and poly bags.
2. Make sure you have all parts listed before discarding packaging.
 - a. Acrylic Lid
 - b. Acrylic Infuser
 - c. Acrylic Tank (3 gallon or 5 gallon)
 - d. Stainless Steel Faucet
3. Make sure to hand wash all parts in warm soapy water before first use.
4. Gently place the infuser in the designated indents on the tank (see@).
5. Fill the infuser with desired food product.
6. Fill tank with desired cold beverage.
7. Place the lid on top of the tank.



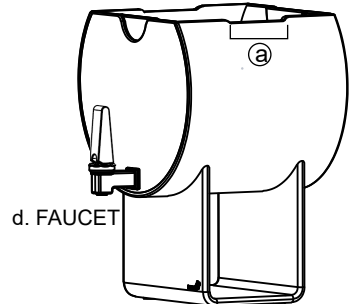
CARING FOR YOUR CONTAINER

Keep your beverage dispenser in good working order with these cleaning and handling tips:

- **Do not place any part of your beverage dispenser in the freezer or dishwasher.**
- Hand wash all acrylic parts with warm soapy water.
- Rinse and dry with soft cloth for best results.
- Do not use alcohol, ammonia, or any chemical based cleaners to clean dispenser.
- Do not use abrasive materials such as scrapers or metal based brushes on dispenser.
- **DO NOT use hot liquids with this beverage dispenser, ONLY use cold liquids.**



c. TANK



Replacement Parts:

	Item No.	Description
a	LDL013	Lid for Lucid Acrylic 3 Gallon White Barrel Dispenser
	LDL014	Lid for Lucid Acrylic 3 Gallon Black Barrel Dispenser
	LDL015	Lid for Lucid Acrylic 5 Gallon White Barrel Dispenser
	LDL016	Lid for Lucid Acrylic 5 Gallon Black Barrel Dispenser
b	LDF017	Infuser for Lucid Acrylic 3 Gallon White Barrel Dispenser
	LDF018	Infuser for Lucid Acrylic 3 Gallon Black Barrel Dispenser
	LDF019	Infuser for Lucid Acrylic 5 Gallon White Barrel Dispenser
	LDF020	Infuser for Lucid Acrylic 5 Gallon Black Barrel Dispenser
d	LDM006	Stainless Steel Faucet

Dimensions: LD174/LD181- (IN) 9.8 x 9.8 x 17.5 - (CM) 24.9 x 24.9 x 44.5
 LD182/LD183- (IN) 14.5 X 9.75 X 20.25 - (CM) 36.8 x 24.8 x 51.4

Capacity: LD174/LD181- 3 Gallons / 11.4 Liters
 LD182/LD183- 5 Gallons / 18.9 Liters



NEED ASSISTANCE?

Please contact our customer service support at (847) 763-1215 and we'll be happy to assist with any assembly questions, comments, or concerns.

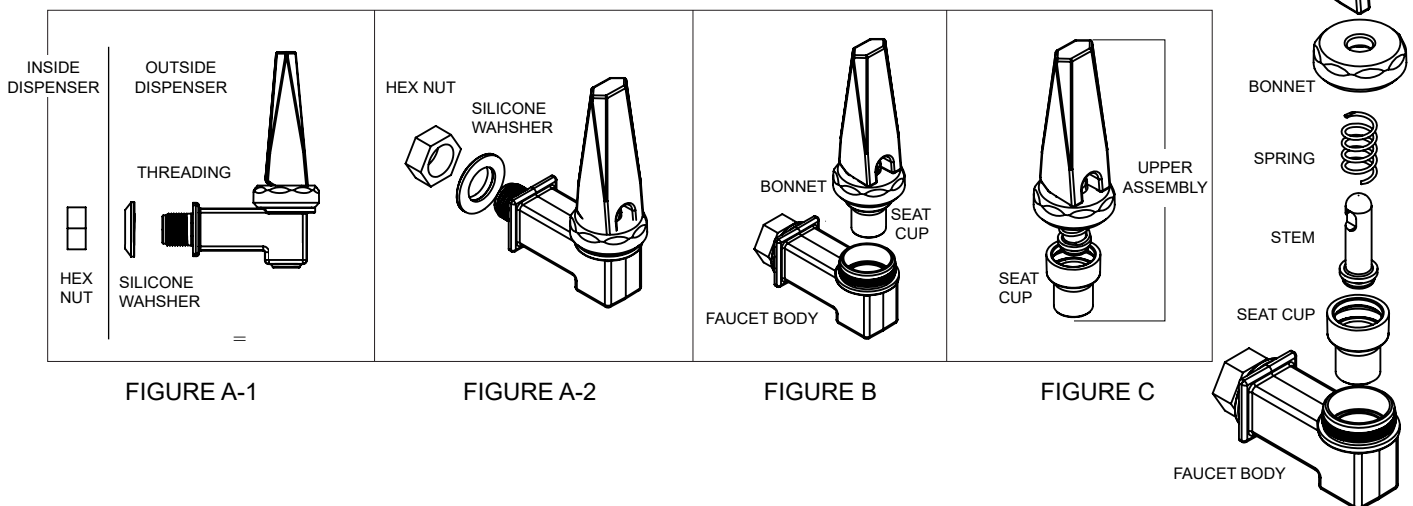
ROSSETO® 3714 Jarvis Avenue, Skokie, IL 60076
 Visit our website at www.rosseto.com

Lucid Barrel Beverage Dispenser

SETTING UP YOUR FAUCET

HOW TO DISASSEMBLE:

1. Detach faucet from dispenser by unscrewing hex nut from inside tank (Figures A-1 & A-2).
2. Pull out faucet body and silicone washer from front, retrieve hex nut from inside tank.
3. Detach upper assembly from faucet body by unscrewing bonnet (Figure B). Once the upper assembly is separated from the faucet body, pull seat cup away from handle/bonnet (Figure C). NOTE: If seat cup remains in faucet body after it was detached from the upper assembly, remove seat cup from faucet body.
4. Clean all parts in warm soapy water. Do not place any parts in the dishwasher or use alcohol, ammonia, or any chemical based cleaners.



HOW TO ASSEMBLE:

1. Place seat cup over stem/spring on upper assembly. Securely lock the stem into the base of the seat cup. You will know when the seat cup is securely locked in place when it will not detach from stem easily.
2. Hand tighten upper assembly/bonnet onto faucet body. You will know that the bonnet is properly installed if no threading is seen on the faucet body.
3. Install the faucet body onto body of dispenser. Place silicone washer over threading of faucet body **MAKING SURE SILICONE WASHER IS FLUSH WITH BACK OF FAUCET BODY** (Figures A-1 & A-2).
4. With one hand, place threading of faucet body through hole in front of the dispenser. With the other hand, screw the hex nut onto the faucet from the inside of dispenser to secure. Hand tighten only.
5. Fill container at location of dispensing. Drain dispenser at the end of the day before moving. If full, 2 people are required to move dispenser.

NEED ASSISTANCE?

Please contact our customer service support at (847) 763-1215 and we'll be happy to assist with any assembly questions, comments, or concerns.

ROSSETO[®] 3714 Jarvis Avenue, Skokie, IL 60076
Visit our website at www.rosseto.com