

## SETTING UP YOUR PRODUCT

### Introduction

1. Please read instructions before using this appliance. This appliance is not intended for household use.
2. When using electrical appliances, basic precautions should always be followed to reduce the risk of fire, electric shock and injury.
3. Clean machine thoroughly before and after each use following the cleaning instructions provided below.

### Operation

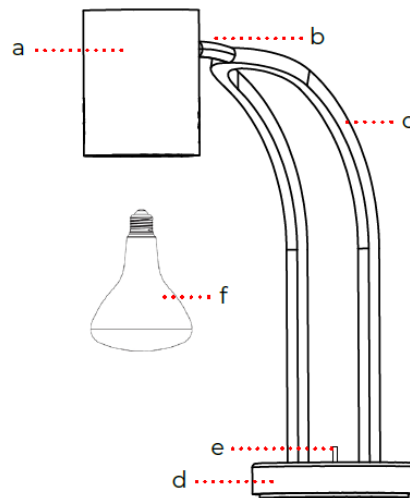
1. Carefully remove product from packaging. Make sure to remove packing material from inside and around lamp shade (a).
2. Place heat lamp on a stable, level surface. Always carry lamp by base (d) and never metal arms (c).
3. Take provided light bulb(s) (f) and screw into light socket in lamp shade (a).
4. Plug power cord into a grounded outlet. Always maintain a distance of at least 12" between the lamp shade and any wall.
5. Turn lamp on by flipping ON/OFF switch (e) on base.
6. If lamp fails to work properly when first operated contact Rosseto customer service.
7. Place food directly under the bulb for best results.
8. The flexible stem allows lamp shape to be redirected.
9. Do not aim lamp in any direction other than the food.
10. When in use, lamp shade becomes hot. Use caution to not touch with bare skin.
11. Turn heat lamp off when not in use.
12. To disconnect heat lamp, turn switch off and remove plug from power source.
13. Allow unit to cool completely before cleaning or storing.
14. If light bulb needs to be changed, always unplug the unit and allow to cool completely before changing bulb.



*Stainless Steel: HL022  
Black Matte: HL021  
Bronze: HL025*



*Stainless Steel: HL024  
Black Matte: HL023  
Bronze: HL026*



### Parts

- a. Lamp Shade
- b. Flexible Stem
- c. Metal Arms
- d. Metal Base
- e. ON/OFF Switch
- f. Light bulb

## CLEANING & CARE INSTRUCTIONS

1. Turn heat lamp off and unplug the cord before cleaning.
  2. After unit has cooled, wipe down base, arms, and shade with a warm, damp cloth and mild soap solution.
  3. Do not immerse in water or other liquid as electrical components will be destroyed.
- DO NOT** put any part of the unit through dishwasher or dryer machine or soak in water.
- DO NOT** use any abrasive materials such as scrubbing pads, scrapers, or metal-based brushes.



## SAFETY INSTRUCTIONS

1. Never leave the unit unattended when operating.
2. This heat lamp is hot when in use. To avoid burns, do not let bare skin touch hot surfaces. Keep combustible materials, such as drapes and other furnishings away from unit.
3. To prevent a possible fire, it is recommended that the unit is placed on a non-combustible surface.
4. Close supervision is necessary when the unit is used near children.
5. Always unplug appliance when not in use and before cleaning, adjusting or maintaining this unit. To disconnect unit, turn power switch off and remove plug from outlet.
6. Do not operate unit with a damaged cord, plug, or light socket.
7. Do not use outdoors. This appliance is not intended for wet or moist locations. Never place unit where it may fall into water.
8. Connect to properly grounded outlets only. Avoid the use of extension cords. Do not run the power cord under carpeting, runners or the like. Arrange cord away from high traffic areas, where it will not create a tripping hazard.
9. Do not carry the lamp by gripping the metal arms. Always carry lamp by the base.
10. To protect against electrical shock, do not immerse the unit, cord, or plug in water or other liquid.
11. This appliance has electrical parts. Do not use it in areas where gasoline, paint, or flammable liquids are used or stored.

## TECHNICAL DATA

Item #	Base Description	Voltage	Hertz	Max Watts	Amps	Plug Type
HL021	Single, Black Matte	110V~250V	50Hz~60Hz	300	5	US NEMA 5-15P
HL022	Single, Stainless Steel	110V~250V	50Hz~60Hz	300	5	US NEMA 5-15P
HL023	Double, Black Matte	110V~250V	50Hz~60Hz	600	10	US NEMA 5-15P
HL024	Double, Stainless Steel	110V~250V	50Hz~60Hz	600	10	US NEMA 5-15P
HL025	Single, Bronze	110V~250V	50Hz~60Hz	300	5	US NEMA 5-15P
HL026	Double, Bronze	110V~250V	50Hz~60Hz	600	10	US NEMA 5-15P

HLB001 Light Bulb (Incandescent & Shatter Proof): Voltage: 110V, Wattage: 250W, Bulb Type: R/BR40, Screw type: E27

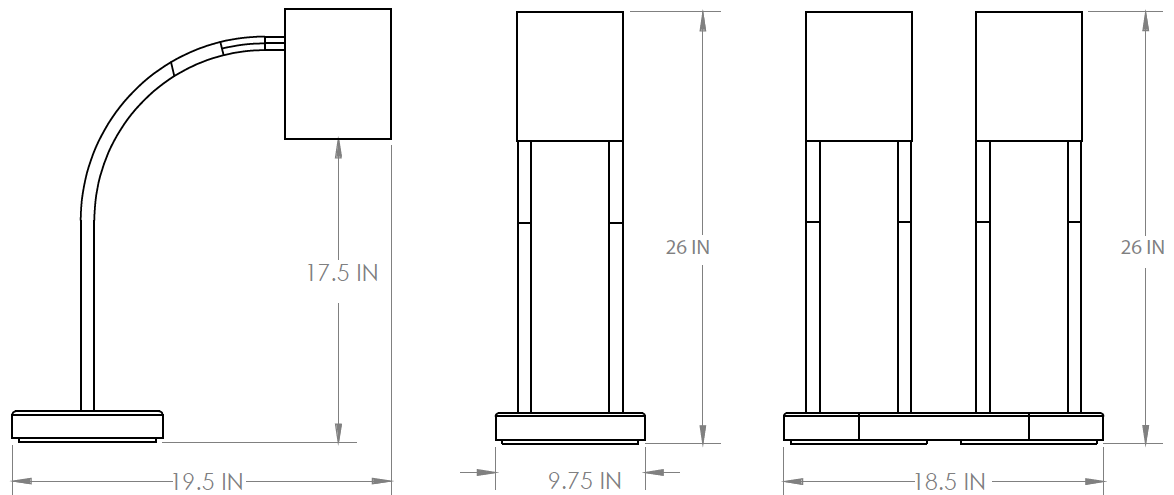
## SPECIFICATIONS

### HL021/HL022/HL025

Dimensions:  
9.75 x 19.5 x 26 IN /  
24.8 x 49.5 x 66 CM  
Product Weight:  
18.2 lb / 8.3 kg

### HL023/HL024/HL026

Dimensions:  
18.5 x 19.5 x 26 IN /  
47 x 49.5 x 66 CM  
Product Weight:  
36.4 lb / 16.5 kg



IS0110\_2\_20\_24\_R1

## NEED ASSISTANCE?

Customer Service Support: **847-763-1215**

Address: **3714 Jarvis Avenue Skokie, IL 60076**

Website: **www.rosseto.com**

