

## SETTING UP YOUR PRODUCT

1. Carefully remove all parts from packaging.
2. Make sure you have all parts listed according to your model:
  - a. 4 Screws
  - b. 2 Stainless Steel Brackets
  - c. 1 Polycarbonate Panel
3. If your product arrives pre-assembled, you may skip to step 7.
4. To assemble, loosen the two Screws (a) on the metal Bracket (b), Figure 1.
5. Slide Bracket (b) over the designated slot in the corners of the Polycarbonate (c) as shown in Figure 2. The side of the Bracket should be flush with the side of the polycarbonate.
6. Tighten both screws (a) until the polycarbonate is secured in the bracket (b).
7. Make sure the area you will be placing the booth divider is clean and dry. It is recommend to clean surface with rubbing alcohol and let dry completely.
8. Remove the liner on the double sided tape on the bottom of the bracket as shown in Figure 3. Press metal bracket firmly against booth or table surface for 30 seconds.



RD003 - 28" Divider  
RD004 - 46" Divider

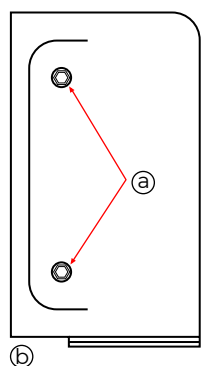


Figure 1

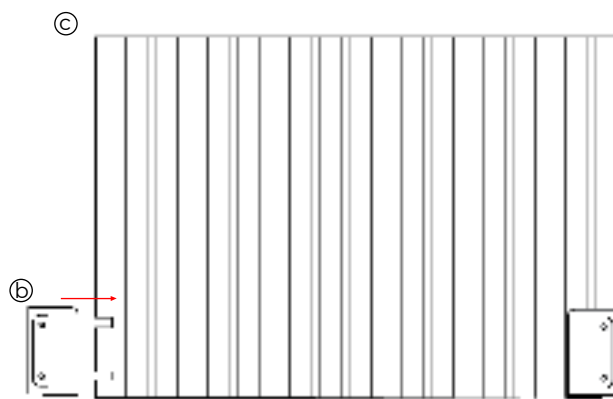


Figure 2

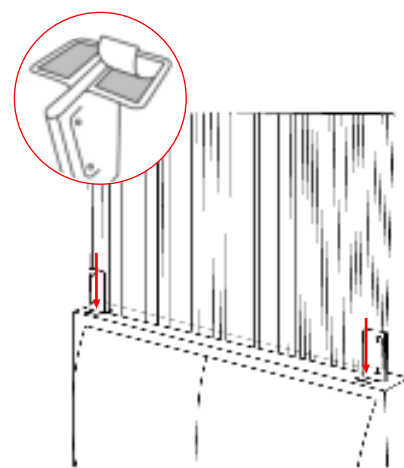


Figure 3



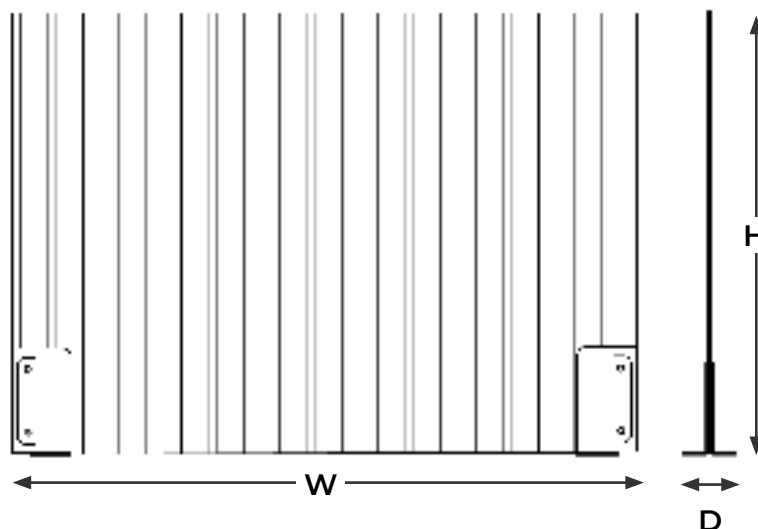
### SPECIFICATIONS

RD003

**DIMENSIONS** 28 X 2.25 X 20 IN / 71.1 X 5.7 X 50.8 CM (WxDxH)  
**WEIGHT** 1.5 Pounds / 0.7 Kilograms

RD004

**DIMENSIONS** 46 X 2.25 X 20 IN / 116.8 X 5.7 X 50.8 CM (WxDxH)  
**WEIGHT** 2.2 Pounds / 1 Kilograms



### REPLACEMENT PARTS

Item Number	Description	Material
SMM038	Screw for Bracket	Stainless Steel
SMM041	Double Sided Tape	Foam + Adhesive

### CLEANING & CARE INSTRUCTIONS

- DO NOT use any abrasive materials such as scrapers or metal-based brushes.
- DO NOT use harsh chemicals or abrasive cleaners.

#### Polycarbonate Care:

To maintain the quality of your polycarbonate, wipe down with a warm damp cloth and mild soap. Use a clean, damp cloth to rinse off soap. Dry with a soft sponge or cloth to prevent water spots. Be careful to not get water in the interior channels of the polycarbonate as it will be hard to remove water spots that form on the inside.

#### Stainless Steel Care:

Metal Care: Wipe down with damp microfiber cloth and always wipe dry with a microfiber cloth. Store in a dry and well-ventilated place.

