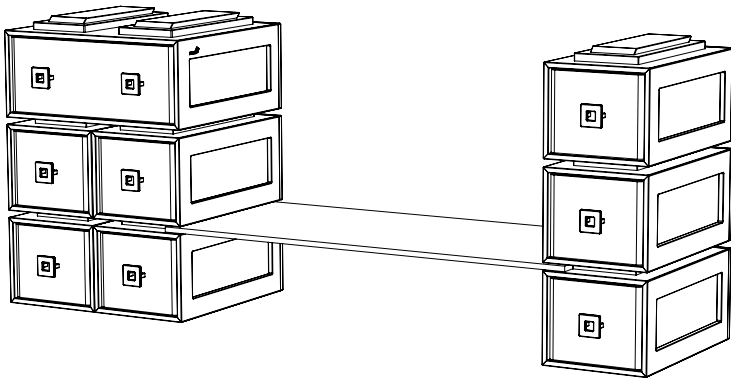


BAMBOO BAKERY BUILDING BLOCKS

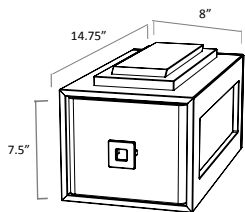


It's time to get creative! We're taking versatility to new levels with the new bakery building blocks. Build your bread station exactly the way you want it with these stylish masterpieces.

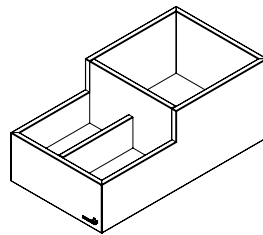
ASSEMBLING YOUR BAKERY UNIT

1. Gather the modular bakery blocks that you want to assemble together. Plan out how you want to set your station up.
2. On an even, flat surface, place the unit/s that you want to use as the base.
3. On the under side of each bakery block is a rectangular slot that connects to the top of another bakery block. Connect the drawers together by locking in the back portion first, as shown in Figure A.
4. In one smooth motion, pull the top level unit towards you, in a slightly downward angle.
5. To make sure that the bread drawers are properly locked, gently push down on the top level drawer that you just installed.
6. Once the top levels are in place, you can start adding more blocks!

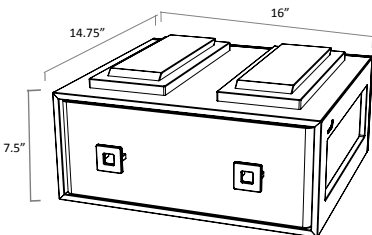
TO DISASSEMBLE: Work from the topmost level first. Lift the drawer frame at the front and gently push/slide slightly towards the back.



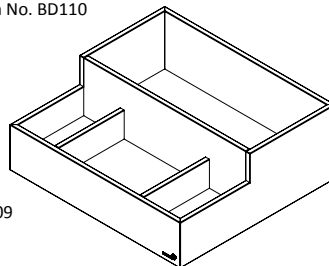
SMALL BAKERY DRAWER
Natural Bamboo, Item No. BD106
Black Acrylic, Item No. BD111



SMALL CONDIMENT TRAY
Natural Bamboo, Item No. BD108
Black Acrylic, Item No. BD112



LARGE BAKERY DRAWER
Natural Bamboo, Item No. BD105
Black Acrylic, Item No. BD110



LARGE CONDIMENT TRAY
Natural Bamboo, Item No. BD109
Black Acrylic, Item No. BD113

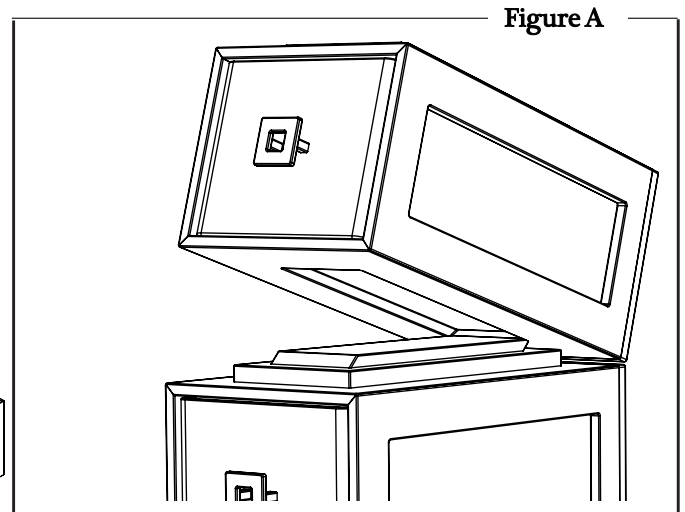


Figure A

NEED ASSISTANCE?

Please contact our customer support at (847)763-1215 and we'll be happy to assist with any assembly questions, comments or concerns.

ROSSETO® 3600 W. Pratt Avenue. Lincolnwood, IL 60712

Visit our website at: www.rosseto.com

Mix & Match with other Rosseto multi-level pieces!

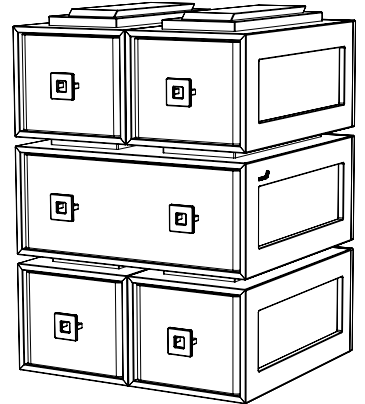


THE ROSSETO NATURAL BAMBOO LINE

Our Sustainable Natural Bamboo line creates a wild and earthy station to add high-design with a light and airy atmosphere to any room or service area.

Why Bamboo?

- It is 100% eco-friendly and organic!
- Bamboo is a renewable resource and has the incredible ability to grow up to 39 inches within a 24-hour period.
- It comes from a plant which is extremely strong, making it ideal for creating kitchen utensils.
- It remains smooth and does not splinter. It is also stain resistant.



HANDLING TIPS & CARE INSTRUCTIONS

Before initial usage, hand wash the acrylic drawers with warm soapy water. Rinse thoroughly and dry with a soft cloth for best results. Do this regularly, ideally after every use.

Keep your Bakery Building Blocks looking like new with these cleaning and handling tips:

- Do not place any part of your Bakery Building Blocks in the dishwasher.
- Avoid using alcohol, ammonia, or any chemical-based cleaners.
- Do not use abrasive materials such as scrapers or metal-based brushes.
- Use a damp wash cloth to clean the bamboo frame; simple microfiber cloth is recommended.
- Stow your Bakery Building Blocks in the box it came in to keep it protected.

PACKAGING



Rosseto cares about keeping your product protected and keeping the environment clean! Your Bakery Building Block comes packaged in an easily recyclable double-wall corrugated cardboard. If you are not using it to stow your Rosseto item, please dispose of the carton properly.

NEED ASSISTANCE?

Please contact our customer support at (847)763-1215 and we'll be happy to assist with any assembly questions, comments or concerns.

ROSSETO® 3600 W. Pratt Avenue. Lincolnwood, IL 60712
Visit our website at: www.rosseto.com