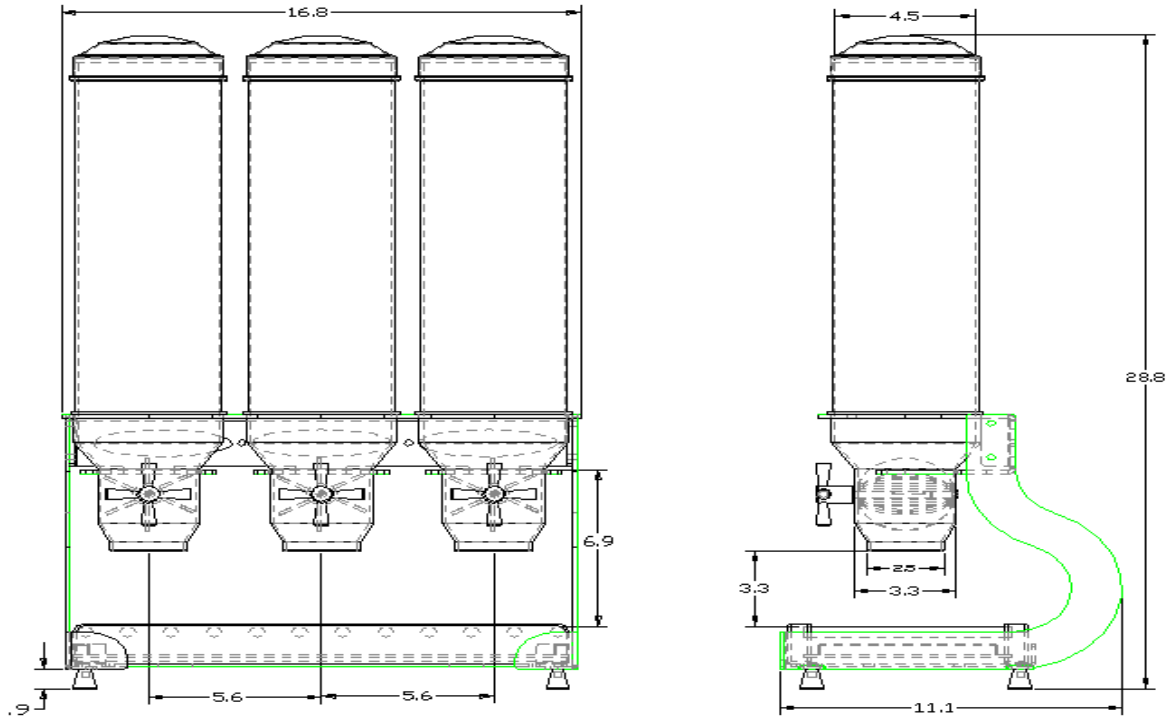


rosseto



...after serv...after serv...

EZ-SERV O3 Dispenser (formerly OCD 3)



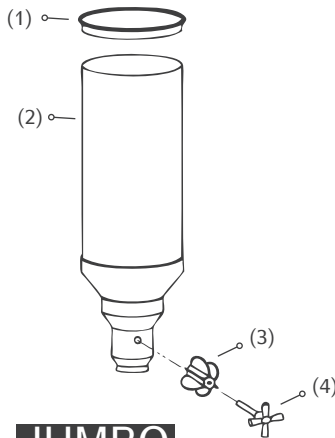
Specifications:

	EZSERV O3
Height	28.8"
Width	16.8"
Depth	11.1"
Capacity	1.3 Gallon Each

Product Includes:

3 ABS plastic tops- silver color, 3 acrylic containers- clear, 3 flexible paddle wheels, 3 metal handles, brushed metal stand, removable wood catch tray, all parts made with non toxic materials. US Patent No#6,964,355

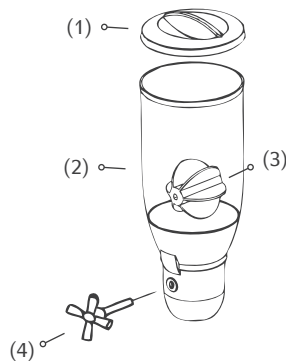
Spare Parts Guide



JUMBO

- EZL003 - Metal Lid (1)
- Ezc003 - 3.5 gal Jumbo Container (2) or Ezc004 - 4.0 gal Jumbo Container
- EZP003 - 6 wing Paddle Wheel (3)
- EZH003 - Metal Handle (4)

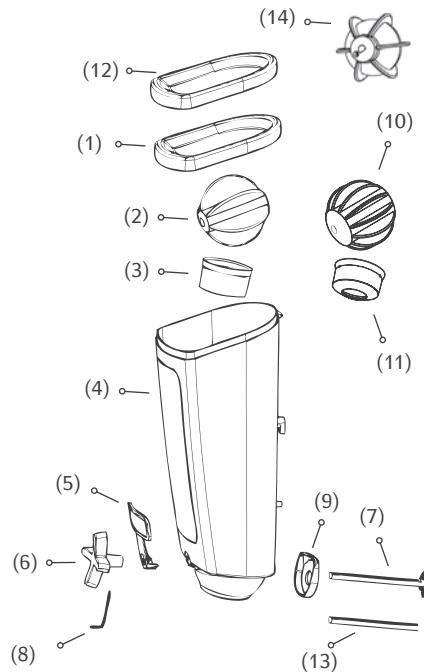
* Applicable to EZServ: 01/04 Jumbo models



ROUND

- EZL001 - Plastic Lid (1)
- Ezc001 - 0.9 gal Container (2)
- EZP003 - 6 Wing Paddle Wheel (3)
- EZH003 - Metal Handle (4)

*Applicable to EZServ:
301/302/303/304/307 models



PRO

- EZL006 - PRO Lid, Stainless Steel (1)
- EZP004 - Pro 6 wing Paddle Wheel (2)
- EZM005 - Regular Nozzle(3)
- Ezc008 - Container (4)
- EZM006 - Name Tag (5)
- EZH004 - Metal Handle & Pin (6 & 7)
- EZM019 - 1.5mm tool (8)
- EZM003 - Clicking Mechanism (9)
- EZP005 - Pro 12 wing Paddle Wheel (10)
- EZM004 - Narrow Nozzle (11)
- EZL009 - Plastic lid (12)
- EZM025 - Pin only (13)
- PRO6-SM -Pro 1 Tbs. wheel (14)
- EZM027 - Stand for container - SS



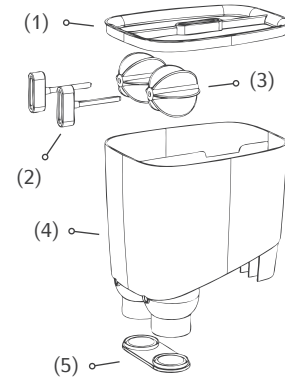
TOPPING KIT

EZP001 -
12 wing paddle wheel ≈ 1 tbs. per servings (1)



EZH002 -
Chrome handle (2)

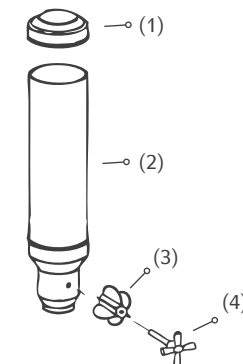
EZH005 -
S - Shaped handle



DIVIDED

- EZL004 - Black Lid (1) or EZL005 - White Lid
- EZH002 - Chrome Handle (2) or EZH001 - White Handle
- EZP002 - 6 wing Paddle Wheel (3)
- Ezc005 - 2.2 gal Container (4)
- EZL008 - Black Fresh Lid (5) or EZL007 - White Fresh Lid

* Applicable to EZServ:
100M/200M/1800/3600/5400/7200 models



TALL

- EZL002 - Plastic Lid (1)
- Ezc002 - 1.3 gal Container (2)
- EZP003 - 6 Wing Paddle Wheel (3)
- EZH003 - Metal Handle (4)

* Applicable to EZServ:
02/03/05 & H30/50 models