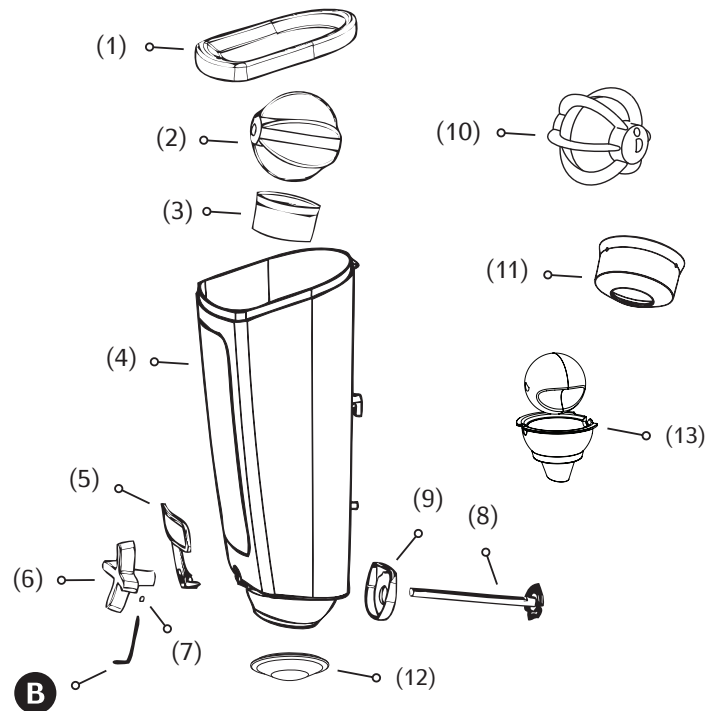
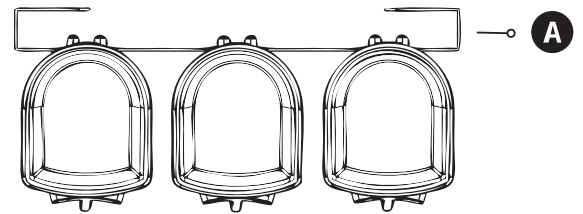
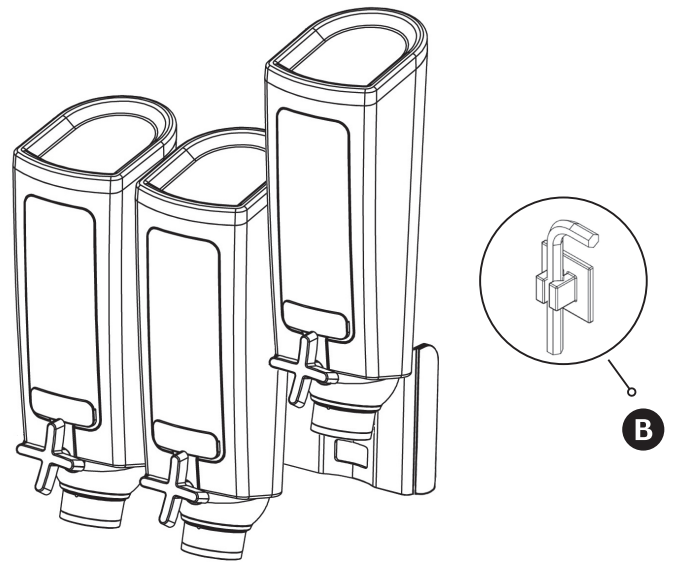


Assembly Instructions for EZPRO 1W/3W/5W Unit

1. Carefully remove all parts from packaging:

- **1-PRO Wall Mounted Adapter** **(A)**
- **1.5 mm Allen Wrench** **(B)**
- **1, 3 or 5 PROC Containers, Each Comes with:**
 - I. PRO Lid, Stainless Steel (1)
 - II. 6WR PRO Silicon Paddle Wheel (2)*
 - III. Regular Nozzle(3) *
 - IV. Container (4)
 - V. Name Tag (5)
 - VI. PRO Handle (6)
 - VII. Mini 1.5mm Screw for Handle (7)
 - VIII. Plastic Pin (8)
 - IX. Clicking Adapter (9)
 - X. PRO 6-SM Silicon Paddle Wheel (10)
 - XI. Narrow Nozzle (11)
 - XII. Pro Fresh Lid (12)
 - XIII. 1 Tsp. Scoop-it Paddle Wheel & Funnel (13)

1. Remove all PROC Containers (4) from individual packaging and poly bags.
2. Remove all PRO Lid (1), from cardboard insert before discarding packaging.
3. Mount PRO Wall Mounted Adapter (A) where desired, making sure it is affixed securely to wall (hardware not included), with the EZSERV logo to the left side.
4. Insert back of container onto wall mounted adapter, making sure it locks into place and container is secure.
5. Repeat step 4 for the remaining containers.
6. Fill Containers with desired dry product.
7. Place all lids on each corresponding container.
8. Dispense as you please!



* IMPORTANT NOTE, PLEASE READ:

- Containers will come assembled with PRO6-SM Silicon Paddle Wheel & Narrow Nozzle, remaining parts will come separately inside container packaging
- PRO6-SM Silicon Paddle wheel is best for small/hard product or smaller serving portions (approx. 1 tbs serving size), 6WR PRO Silicon Paddle Wheel is best with larger/softer product or larger serving portions (approx. 1 oz serving size)
- Regular Nozzle is best for larger product, Narrow Nozzle is best for smaller product
- Scoop-it paddle and silicon nozzle are best for precise portions

CLEANING INSTRUCTIONS

1. Gently disassemble all parts of unit as indicated below

2. Wash all parts in warm soapy water (never use abrasive sponge or cloth)

3. Reassemble unit only after all parts are completely dry (see assembly instructions >>)

PRO Container Disassembly

- 1) Carefully remove PROC Container (4) from PRO Wall Mounted Adapter (A)
- 2) Remove PRO Lid (1) from top of Container plus any remaining product
- 3) Loosen mini 1.5 mm screw for handle (7) found on side of PRO Handle (6) until handle is free utilizing 1.5 mm Allen Wrench (B) (Do Not Remove Screw)*
- 4) Gently remove PRO Handle from the Plastic pin (8) along with Name Tag (5) from front of Container
- 5) Gently push Plastic Pin from front of Container with thumb until there is enough space on the back side to pull Plastic Pin out
- 6) Remove Plastic Pin and Clicking Adapter (9) from the back of the Container, leaving PRO Silicon Paddle Wheel free-standing inside Container
- 7) Reach into Container and remove Paddle Wheel by gently pulling upwards
- 8) Again reach into Container and remove Nozzle from the inside of Container

* IMPORTANT NOTE, PLEASE READ:

Make sure to use long side of Allen wrench to tighten screw. When tightening screw, turn handle so screw hole is facing the bottom of container towards nozzle for easy access.

1.5 mm Allen Wrench (B) comes with an adhesive holder that can be placed any where on the wall mounted adapter. Secure allen wrench holder to wall mounted adapter in desired location or keep in a safe place for later use.

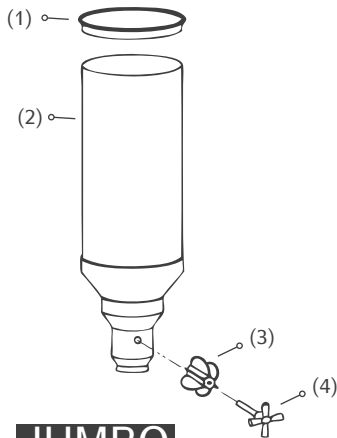
PRO Container Assembly

- 1) Before assembling, choose preferred nozzle and paddle wheel combination for your specific application
- 2) Place Nozzle (3 or 11) into bottom of PRO Container (4), narrow part first so it catches on bottom of Container and clicks into place
- 3) Place PRO Silicon Paddle Wheel (2,10 or 13) into Container, making sure the holes of the paddle wheel align with the container's holes
- 4) Insert Clicking Adapter (9) into Plastic Pin (8)
- 5) Insert Plastic Pin through back of Container, through the Paddle Wheel, until the Clicking Adapter securely fits onto the back of the Container, with the Plastic Pin coming out on the front side of the Container (make sure back of Plastic Pin fits properly onto Clicking Adapter and Clicking Adapter aligns with back of Container)
- 6) If desired, place Name Tag (5) on front side of Container through the Plastic Pin until it fits snugly to front of Container
- 7) Next, Insert PRO Handle (6) into Plastic Pin so the holes from the Handle and Plastic Pin are aligned
- 8) Tighten mini 1.5 mm screw for handle (7) with 1.5 mm Allen Wrench (B) until Handle is secure, making sure screw goes into Plastic Pin as well*
- 9) Fill Container with desired dry product and place PRO Lid (1) on Container
- 10) Carefully insert back of Container onto PRO Wall Mounted Adapter (A), making sure it locks into place and container is secure

NEED ASSISTANCE?

Please contact our customer support at (847)763-1215 and we'll be happy to assist with any assembly questions, comments or concerns.

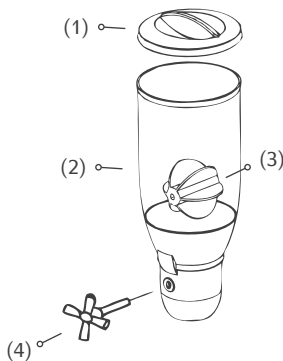
Spare Parts Guide



JUMBO

- EZL003 - Metal Lid (1)
- Ezc003 - 3.5 gal Jumbo Container (2) or Ezc004 - 4.0 gal Jumbo Container
- EZP003 - 6 wing Paddle Wheel (3)
- EZH003 - Metal Handle (4)

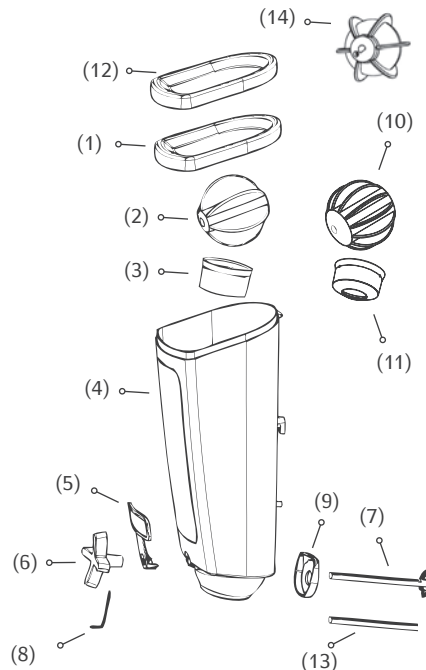
* Applicable to EZServ: 01/04 Jumbo models



ROUND

- EZL001 - Plastic Lid (1)
- Ezc001 - 0.9 gal Container (2)
- EZP003 - 6 Wing Paddle Wheel (3)
- EZH003 - Metal Handle (4)

*Applicable to EZServ:
301/302/303/304/307 models



PRO

- EZL006 - PRO Lid, Stainless Steel (1)
- EZP004 - Pro 6 wing Paddle Wheel (2)
- EZM005 - Regular Nozzle(3)
- Ezc008 - Container (4)
- EZM006 - Name Tag (5)
- EZH004 - Metal Handle & Pin (6 & 7)
- EZM019 - 1.5mm tool (8)
- EZM003 - Clicking Mechanism (9)
- EZP005 - Pro 12 wing Paddle Wheel (10)
- EZM004 - Narrow Nozzle (11)
- EZL009 - Plastic lid (12)
- EZM025 - Pin only (13)
- PRO6-SM -Pro 1 Tbs. wheel (14)
- EZM027 - Stand for container - SS



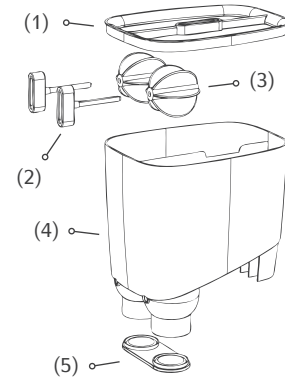
TOPPING KIT

EZP001 -
12 wing paddle wheel ≈ 1 tbs. per servings (1)



EZH002 -
Chrome handle (2)

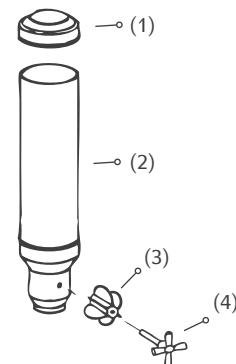
EZH005 -
S - Shaped handle



DIVIDED

- EZL004 - Black Lid (1) or EZL005 - White Lid
- EZH002 - Chrome Handle (2) or EZH001 - White Handle
- EZP002 - 6 wing Paddle Wheel (3)
- Ezc005 - 2.2 gal Container (4)
- EZL008 - Black Fresh Lid (5) or EZL007 - White Fresh Lid

* Applicable to EZServ:
100M/200M/1800/3600/5400/7200 models



TALL

- EZL002 - Plastic Lid (1)
- Ezc002 - 1.3 gal Container (2)
- EZP003 - 6 Wing Paddle Wheel (3)
- EZH003 - Metal Handle (4)

* Applicable to EZServ:
02/03/05 & H30/50 models